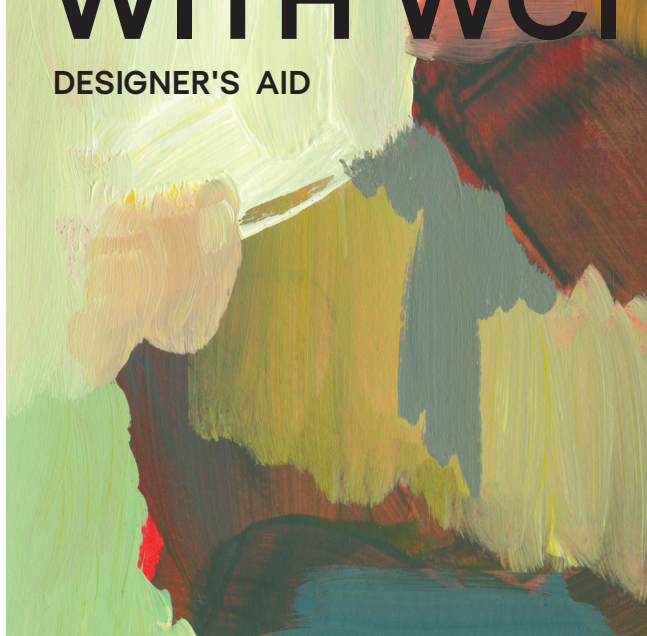
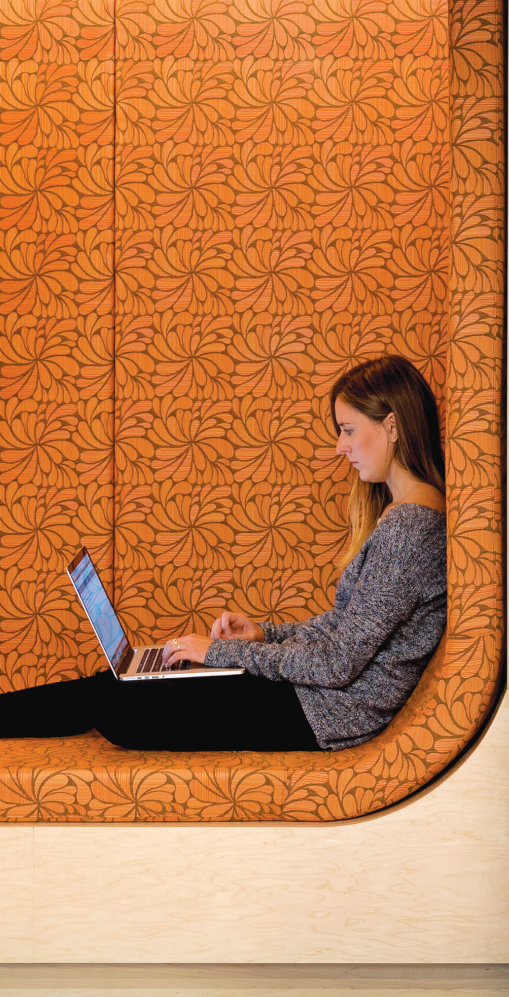




CREATE WITH WCI

DESIGNER'S AID



WEST
COAST
INDUSTRIES



**CREATE
WITH
WCI**



Where your inner rebel meets ours.
Collaborate with us to explore
your vision, push your creative limits
and create the reimagined.





CREATE WITH WCI 02

SEATING 06

Statement of Line

Specifications

Seating Request Form

TABLES 19

Statement of Line

Edge Profiles

OUTDOOR 27

Statement of Line

Edge Profiles

SPACE PLANNING 30

Seating & Tables Layout

Table Seating Capacities

ADA Recommendations

MATERIALS & FINISHES 41

Materials & Finishes

Laminate Reference Guide

Solid Surface Reference Guide

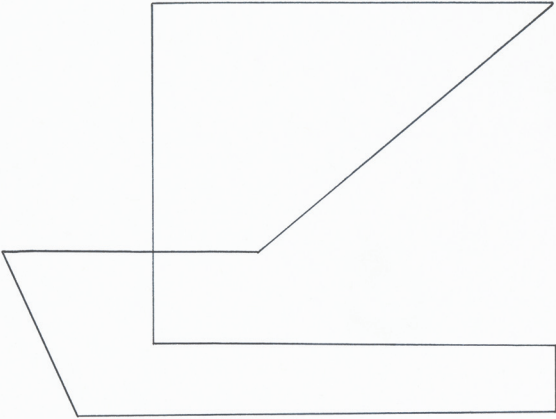
Quartz Reference Guide

Wood Tops

SEATING

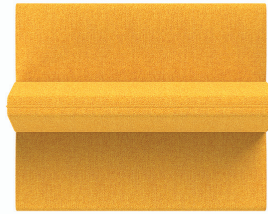


AAA HEADQUARTERS, WALNUT CREEK,
CALIFORNIA Product: Single
Banquette





Single



Double



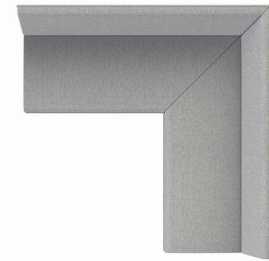
U-Shape



3/4 Circle



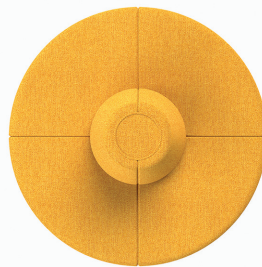
Straight



L-Shape



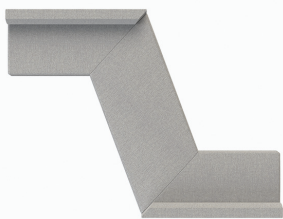
Custom Curve



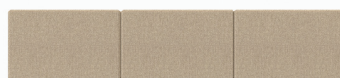
Rotunda



Ellipse



Zig



Bench



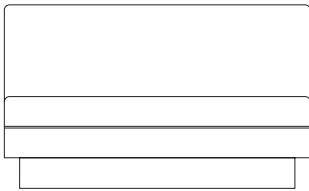
Ottoman

Custom shapes are available upon request.
Images shown are representations of WCI standard configurations.

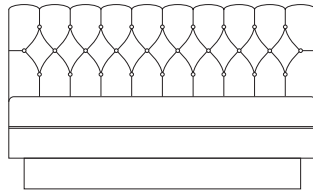
STANDARD CONFIGURATIONS – Specifications



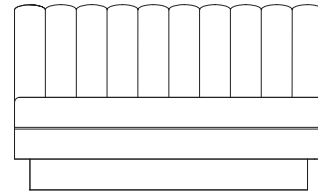
INSIDE BACK STYLES



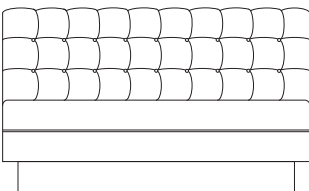
Plain upholstered (standard)



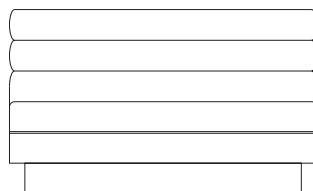
Diamond tufted



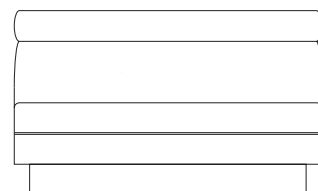
3" – 6" wide vertical channels



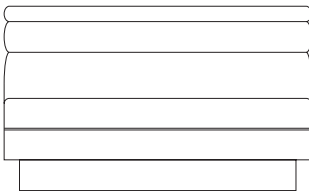
Biscuit tufted



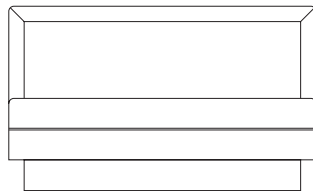
6" wide horizontal channels



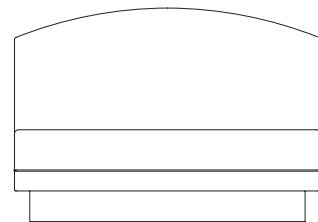
Plain back with 4" – 6" wide headroll



Graduating width horizontal channels



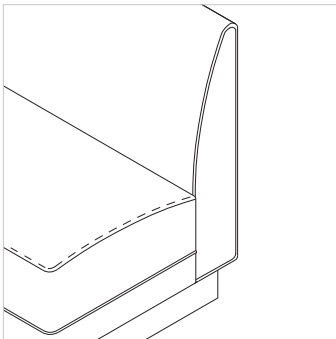
Plain back with 3" wide picture frame headroll



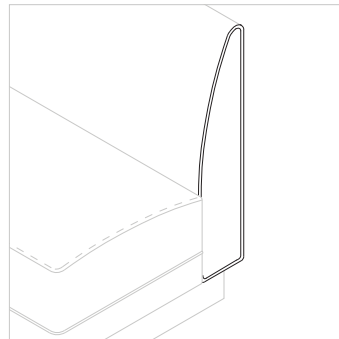
High rise curved back



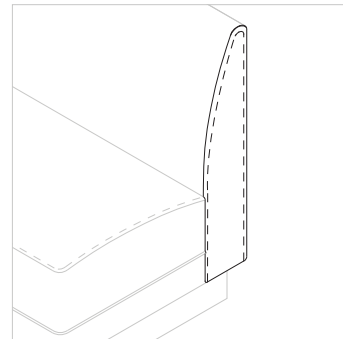
END PANEL STYLES



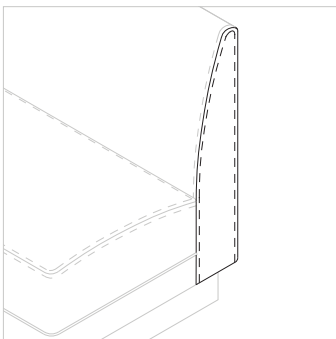
Wrap-around upholstered (standard)



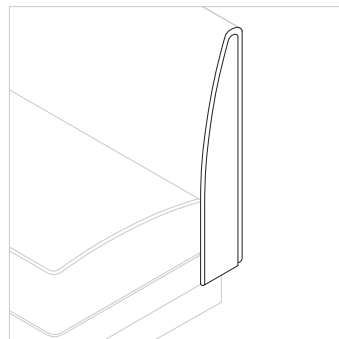
Self upholstered with welt all around



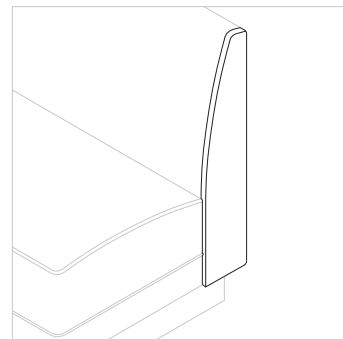
Self upholstered with french stitch



Self upholstered with baseball stitch



Applied upholstered end panel with welt all around

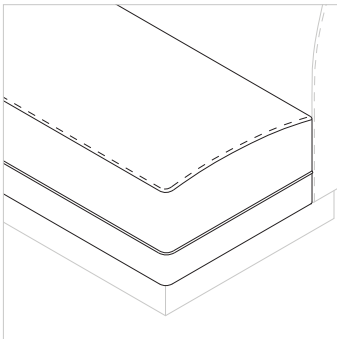


Applied laminate or wood veneer end panel

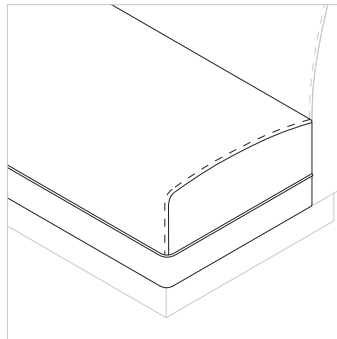
STANDARD CONFIGURATIONS – Specifications



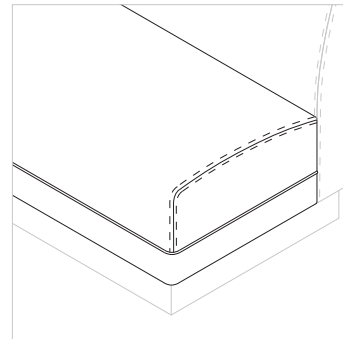
SEAT STYLES



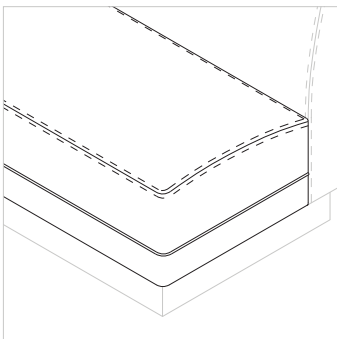
Plain upholstered with french stitch on all seat top edges (standard)



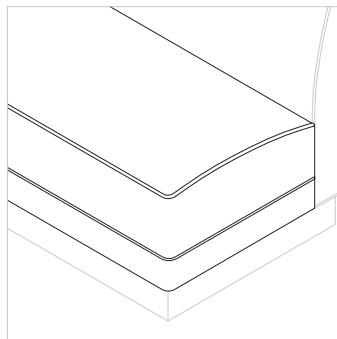
Waterfall upholstered front and back edges with french stitch on ends



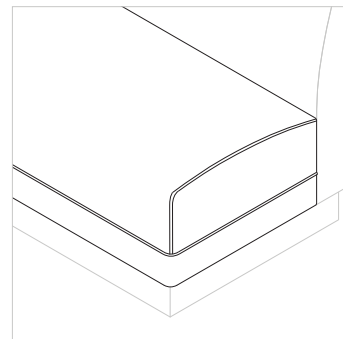
Waterfall upholstered front and back edges with baseball stitch on ends



Plain upholstered with baseball stitch on all seat top edges



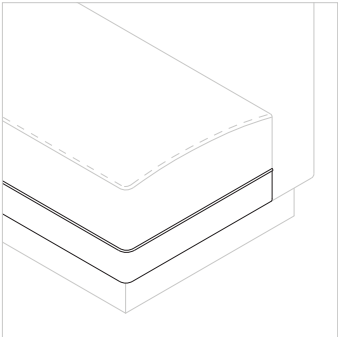
Plain upholstered with welt on all seat top edges



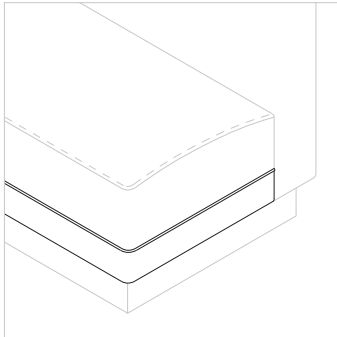
Waterfall upholstered front and back edges with welt on ends



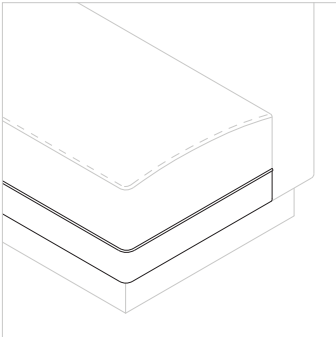
SEAT APRON STYLES



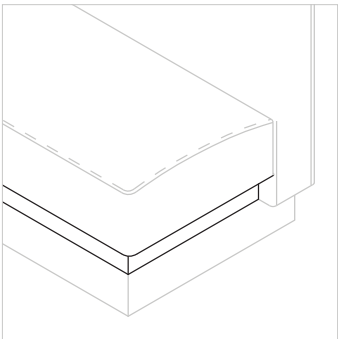
Flush seat upholstered apron with welt (standard)



Flush seat laminate apron with welt



Flush seat wood veneer apron with welt

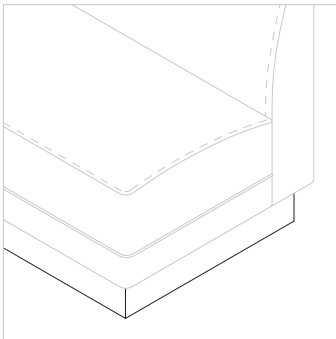


Recessed seat apron

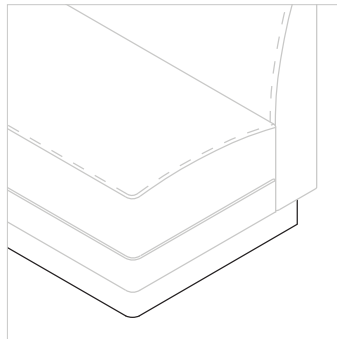
STANDARD CONFIGURATIONS – Specifications



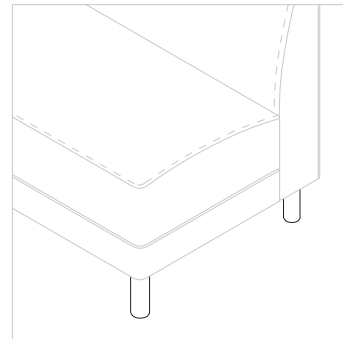
BASE AND LEG STYLES



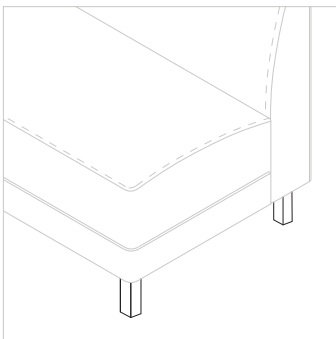
Enclosed base square corners, square or slanted profile (standard)



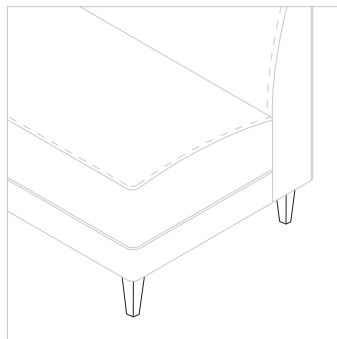
Enclosed base radius corners



Metal or wooden round legs

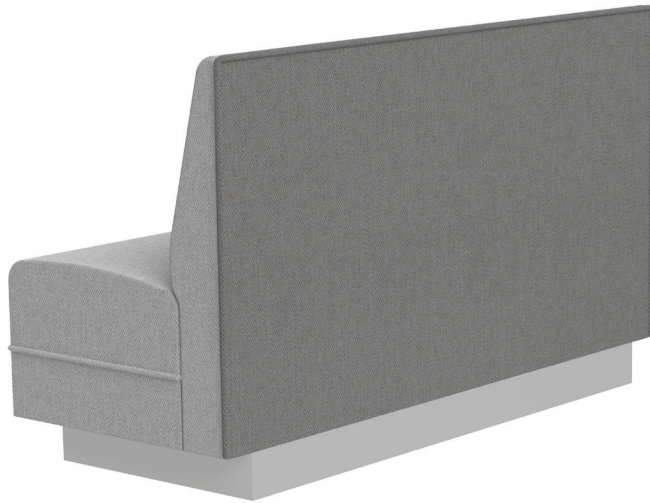


Metal or wooden square legs

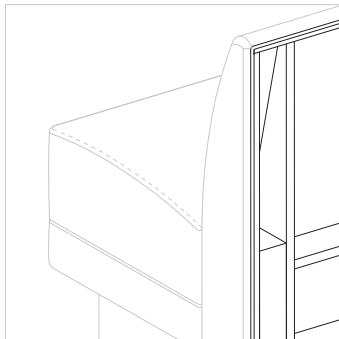


Metal or wooden tapered legs

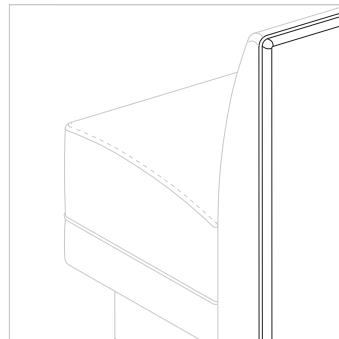
A recessed base can be used in conjunction with leg supports for additional stability.



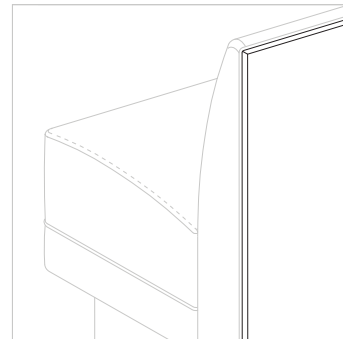
OUTSIDE BACK STYLES



Unfinished (standard)



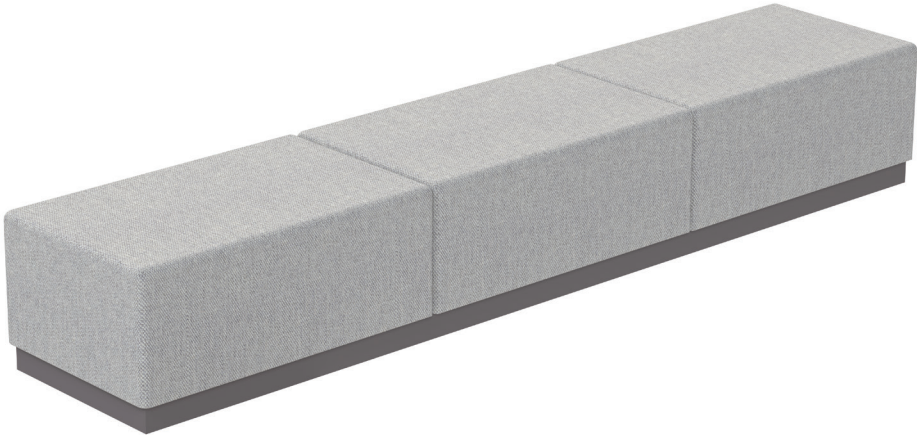
Plain upholstered with welt



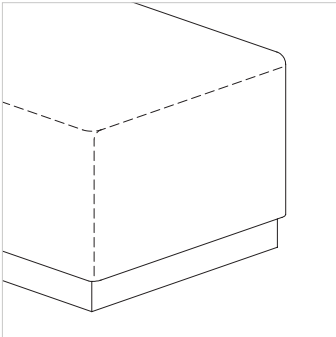
Applied laminate or wood veneer back with welt

Custom back materials are available upon request.

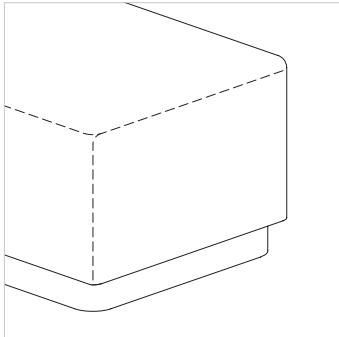
STANDARD CONFIGURATIONS – Specifications



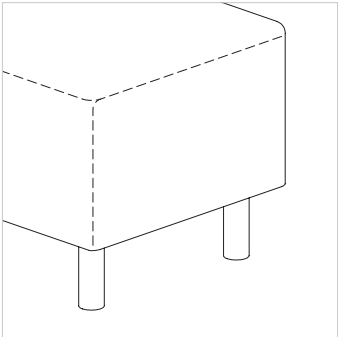
BENCH BASE AND LEG STYLES



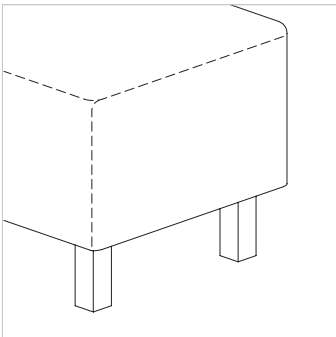
Enclosed base square corners, square or slanted profile (standard)



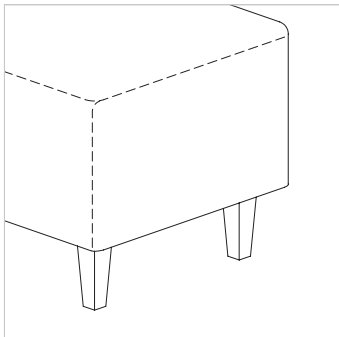
Enclosed base radius corners



Metal or wooden round legs



Metal or wooden square legs

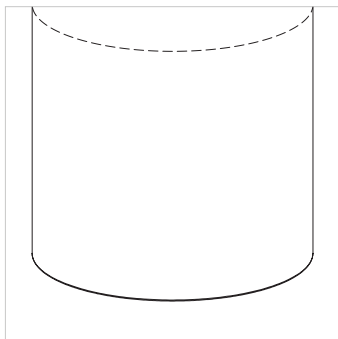


Metal or wooden tapered legs

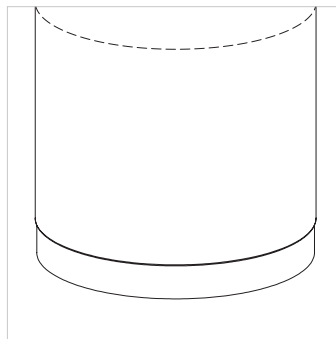
Custom base and leg materials are available upon request.



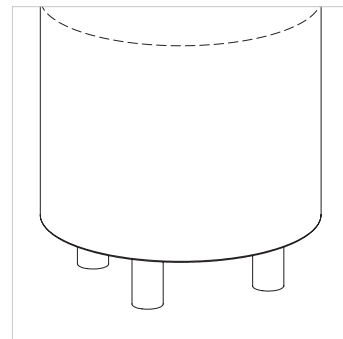
OTTOMAN BASE AND LEG STYLES



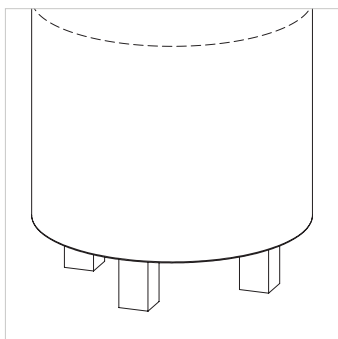
No base



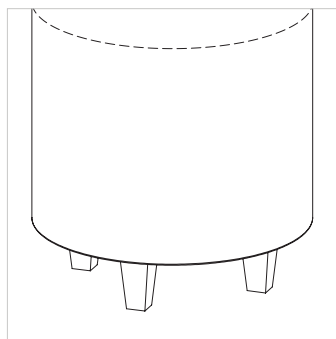
Enclosed base radius corners



Metal or wooden round legs



Metal or wooden square legs



Metal or wooden tapered legs

Custom base and leg materials are available upon request.

SEATING – Request Form

Due Date:

Project Name / Number:

Client Name:

A Inside Back Style

B End Panel Style

C Seat Style

D Apron Style

E Base Style

F Outside Back Style



CONFIGURATION

(Please check one: Required to Specify and Quote)

Single

Straight

Ellipse

Double

L-Shape

Zig

U-Shape

Custom Curve

Bench

¾ Circle

Rotunda

Ottoman

Custom

DIMENSIONS

(Required to Specify and Quote)

Overall Length: _____

Seat Depth: _____

Overall Height: _____

Seat Pitch: _____

Overall Depth: _____

Apron Height: (if applicable) _____

Back Depth: _____

Base Height: _____

Overall Seat Height: _____

Base / Leg: _____

Overall Diameter (Rotunda/Ottoman Only): _____

Diameter (Ottoman Only): _____

STYLE GUIDE

(Required to Specify and Quote)

Inside Back: _____

Back Fabric: _____

End Panels: _____

Seat Fabric: _____

Seat Style: _____

Apron Material: _____

Seat Apron Style: _____

Base Material: _____

Base / Leg Style: _____

Outside Back Style: _____

* A floor plan is required for quotation purposes

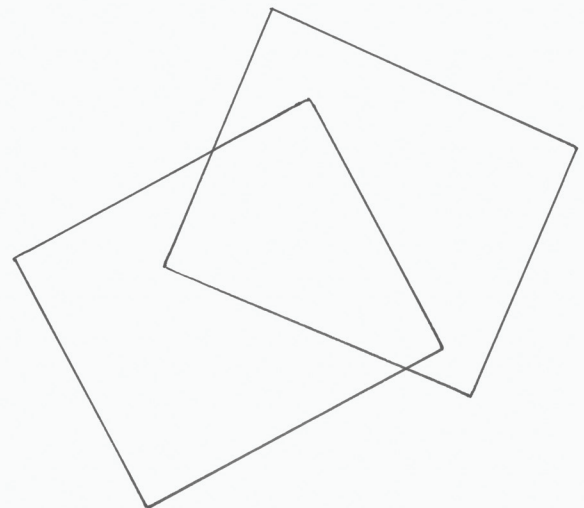
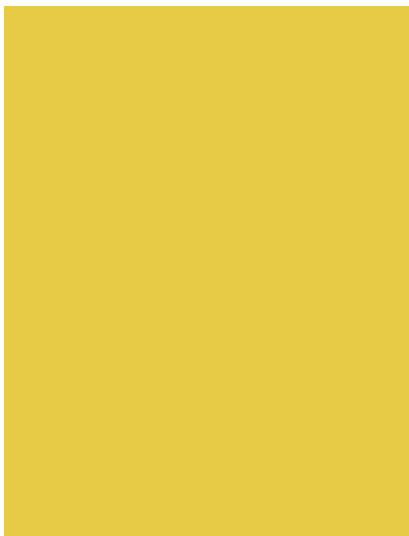
CREATE



TABLES



MOMA CAFE, SAN FRANCISCO, CALIFORNIA
Product: Mark IV Tables



TABLES – *Statement of Line*

DINING & MULTIPURPOSE



Alumiline



Basic Round



Blok



Bolt Down



Cruz



Disc



Dunhill



Flat Round



Kone



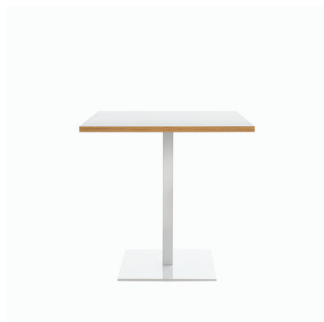
Mark IV



Move



Parsons



Platform



Platform Double



Plus



Post Leg

DINING & MULTIPURPOSE



Regency



Slimline



Spacesaver



Tulip



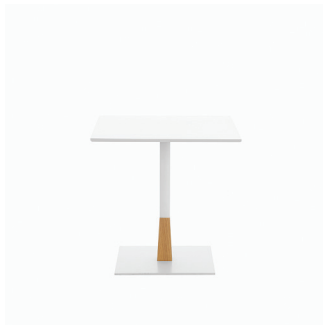
Tuscan



Vista

TABLES – *Statement of Line*

OCCASIONAL



Blok



Cruz



Cube



Cylinder



Disc



Kone



Move



Parsons



Platform

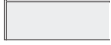


Triad

SELF EDGE

LLSE

Self Laminate Edge

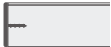


.125" thick edge
Edge is banded with matching standard grade top plastic laminate
Square and rectangle tops standard with square corners
Available on 1.25" thick top
Available in 19 standard laminates

VINYL EDGES

LVFL

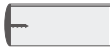
Flat Vinyl T-Mold Edge



.125" x 1.25" flat vinyl edge
Square and rectangle tops standard with 2" radius corners
Available on 1.25" thick top
Available in 12 colors

LVBP

Bumper Vinyl T-Mold Edge



.1875" x 1.25" rounded vinyl bumper edge
Square and rectangle tops standard with 2" radius corners
Available on 1.25" thick top
Available in 12 colors

PVC EDGE

LPVC

Flat PVC Edge



.125" x 1.25" flat pvc edge
Square and rectangle tops standard with square corners
Available on 1.25" thick top
Available in 12 colors

WOOD EDGES GROUP A

LW = Laminate top with a wood edge available in 19 standard laminates

WW = Wood top with a wood edge available in 5 wood species and 20 stains

LWFL & WWFL

Flat Wood Edge



.125" thick flat wood edge, eased corners
Square and rectangle tops standard with square corners
Available on 1.25" thick top
Available in 5 wood species and 20 stains

LWTP & WWTP

Tapered Ply Edge



1" thick exposed Baltic Birch plywood edge with a reverse beveled tapered profile
Square and rectangle tops standard with square corners
Available on 1" thick top

LWFP & WWFP

Flat Ply Edge



1" thick exposed Baltic Birch plywood edge with a flat profile
Square and rectangle tops standard with square corners
Available on 1" thick top

TABLES – Edge Profiles

WOOD EDGES GROUP B

LW = Laminate top with a wood edge available in 19 standard laminates
 WW = Wood top with a wood edge available in 5 wood species and 20 stains

LWSQ & WWSQ Square Wood Edge



1.25" x 1.25" flat square wood edge
 Square and rectangle tops standard with square corners
 Available on 1.25" thick top
 Available in 5 wood species and 20 stains

LWBN & WWBN Bullnose Wood Edge



1.25" x 1.25" bullnose wood edge
 Square and rectangle tops standard with square corners
 Available on 1.25" thick top
 Available in 5 wood species and 20 stains

LWPR & WWPR Prism Wood Edge



1.25" x 1.25" prism wood edge
 Square and rectangle tops standard with square corners
 Available on 1.25" thick top
 Available in 5 wood species and 20 stains

BUTCHER BLOCK EDGES

BBFL Butcher Block Flat Edge



1.3125" finger jointed strips x 1.375" thick, 1.875" thick on 60" diameter tops only
 Square and rectangle tops standard with square corners
 Available on 1.375" thick top
 Available in Maple and 3 stains

BBBN Butcher Block Bullnose Edge



1.3125" finger jointed strips x 1.375" thick, 1.875" thick on 60" diameter tops only
 Square and rectangle tops standard with .5" radius corners
 Available on 1.375" thick top
 Available in Maple and 3 stains

ULTRAFOAM EDGES

ULFP Ultrafoam PVC Edge



.039" x 1" flat PVC edge
 Square and rectangle tops standard with square corners
 Available on 1" thick top

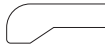
ULFR Ultrafoam Raw Edge



1" ultrafoam top with raw edge
 Square and rectangle tops standard with square corners
 Available on 1" thick top

ACRYLIC EDGE

AAOP & AATL Acrylic Opaque / Acrylic Translucent Tops With Waterfall Edges



1.25" acrylic top with waterfall edge
 Square and rectangle tops standard with 3" radius corners
 Available in 7 colors

CORIAN® EDGES

COFL Corian® Flat Edge



.5" thick Corian® material with 1" thick edge
 Square and rectangle tops standard with .125" radius corners
 Available in 9 colors

COBN Corian® Bullnose Edge



.5" thick Corian® material with 1" thick edge
 Square and rectangle tops standard with .5" radius corners
 Available in 9 colors

COPR Corian® Prism Edge



.5" thick Corian® material with 1" thick edge
 Square and rectangle tops standard with square corners
 Available in 9 colors

3FORM® CHROMA® EDGES

3FFL 3form® Chroma® Flat Edge



1" thick Chroma® material
Square and rectangle tops standard with .125" radius corners
Available in 10 Chroma® colors

3FBN 3form® Chroma® Bullnose Edge



1" thick Chroma® material
Square and rectangle tops standard with .5" radius corners
Available in 10 Chroma® colors

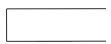
3FPR 3form® Chroma® Prism Edge



1" thick Chroma® material
Square and rectangle tops standard with square corners
Available in 10 Chroma® colors

QUARTZ EDGES

Q1FL & Q2FL Quartz Flat Edge



.75" thick material
With .75" painted plywood subtop, 3" inset from edge
Square and rectangle tops with standard square corners
Available in 7 colors

Q1BN & Q2BN Quartz Bullnose Edge



.75" thick material
With .75" painted plywood subtop, 3" inset from edge
Square and rectangle tops with standard square corners
Available in 7 colors

FACET EDGES – BLOK & KONE TABLES

LFSE Facet Self Edge



1.25" thick facet edge
Square and rectangle tops with standard square corners
Available on 1.25" thick top
Available in 19 standard laminates

WVFC Veneer Facet Self Edge



1.25" thick facet edge
Square and rectangle tops with standard square corners
Available on 1.25" thick top
Available in 5 wood species and 20 stains

WWFC Wood Facet Edge



1.25" x 1.25" thick facet wood edge
Square and rectangle tops with standard square corners
Available in 1.25" thick tops
Available in 5 wood species and 20 stains

COFC Corian® Facet Edge



.5" Corian® with 1" thick edge
Square and rectangle tops with standard square corners
Available on 1" thick top
Available in 9 finishes


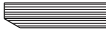


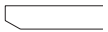
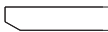
3FFC 3form® Chroma® Facet Edge



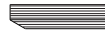

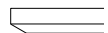
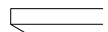
1" thick 3form® Chroma®
Square and rectangle tops with standard square corners
Available on 1" thick top
Available in 10 finishes

TABLES – Edge Profiles



FACET EDGES – BLOK & KONE OCCASIONAL TABLES

LFCT	Facet Ply Edge
	1" thick facet edge Square and rectangle tops with standard square corners Available on 1" thick top Available in 19 standard laminates
LMFC	Mini-Facet Ply Edge
	.5" thick facet edge Square tops with standard square corners Available in .5" thick top Available in 19 laminate finishes
WFCT	Veneer Occasional Facet Edge
	1" thick facet edge Square and rectangle tops with standard square corners Available on 1" thick top Available in 5 wood species and 20 stains
WMFC	Mini Veneer Facet Self Edge
	.5" thick wood edge Square and rectangle tops with standard square corners Available in 5 wood species and 20 stains
COFM	Mini Corian® Facet Edge
	.5" Corian® with .5" thick edge Square tops with standard square corners Available on .5" thick top Available in 9 finishes
3FFM	Mini 3form® Chroma® Facet Edge
	.5" thick 3form® Chroma® Square tops with standard square corners Available on .5" thick top Available in 10 finishes



MOVE TABLE EDGES

LMOV	Ply Move Edge
	.5" thick exposed Baltic Birch plywood edge Standard with .63" radius corners
WMOV	Veneer Move Edge
	.5" thick wood edge Standard with .63" radius corners Available in 5 wood species and 20 stains
CMOV	Corian® Move Edge
	.5" thick Corian® material Standard with .63" radius corners Available in 9 standard colors
3MOV	3form® Chroma® Move Edge
	.5" thick 3form® Chroma® material Standard with .63" radius corners Available in 10 Chroma® colors

CRUZ TABLE EDGES

LCRZ	Ply Cruz Edge
	.5" thick exposed Maple plywood edge Standard with 1.25" radius corners Available in 7 laminates
WCRZ	Veneer Cruz Edge
	.5" thick exposed Maple plywood edge Standard with 1.25" radius corners Available in Ash and 6 stains

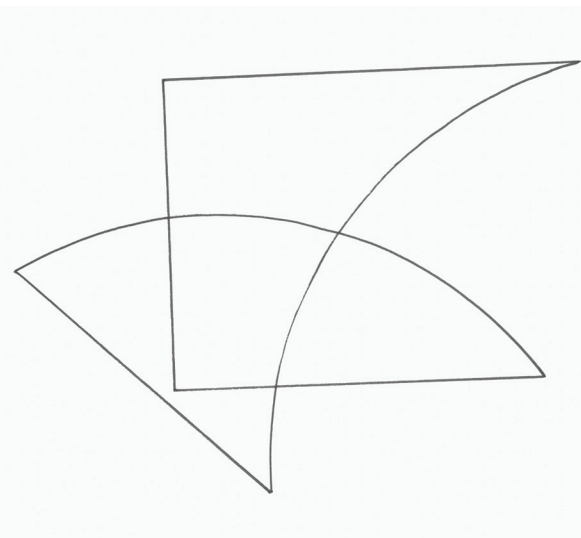
TRIAD TABLE EDGES

WWTR	Triad Prism Edge
	1" x 1" prism wood edge Available on 1" thick top Available in Ash and 6 stains
COPR	Corian® Prism Edge
	.5" thick Corian® material with 1" edge Square and rectangle tops standard with square corners Available in 9 standard colors

OUTDOOR



MISSION BAY PAVILION Product: Vista
Outdoor Tables & Polly Chairs



TABLES & OUTDOOR SEATING – *Statement of Line*

OUTDOOR TABLES



Basic Round



Bistro



Disc



Flat Round



Mark IV



Park



Platform



Platform Double

OUTDOOR CHAIRS



Tulip



Vista



Breeze



Courtyard



Piazza



Picnic



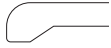
Polly



Sam

ACRYLIC EDGE

AAOP & AATL Acrylic Opaque / Acrylic Translucent Tops
With Waterfall Edges



1.25" acrylic top with waterfall edge
Square and rectangle tops standard with 3" radius corners
Available in 7 colors

CORIAN® EDGES

COFL Corian® Flat Edge



.5" thick Corian® material with 1" thick edge
Square and rectangle tops standard with .125" radius corners
Available in 9 colors

COBN Corian® Bullnose Edge



.5" thick Corian® material with 1" thick edge
Square and rectangle tops standard with .5" radius corners
Available in 9 colors

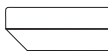
COPR Corian® Prism Edge



.5" thick Corian® material with 1" thick edge
Square and rectangle tops standard with square corners
Available in 9 colors

3FORM® CHROMA® EDGES

3FRB 3form® Chroma® Reverse Bevel Edge
(Outdoor Only)



1" thick Chroma® material
Square and rectangle tops standard with square corners
Available in 10 Chroma® colors

OUTDOOR METAL TOP EDGES

MEM Metal Mesh Top



1" galvanized metal top with radius edge and mesh insert
Round, square, or rectangle
Available in 11 powder coats
*Only available on Bistro and Park complete tables

MES Metal Solid Edge



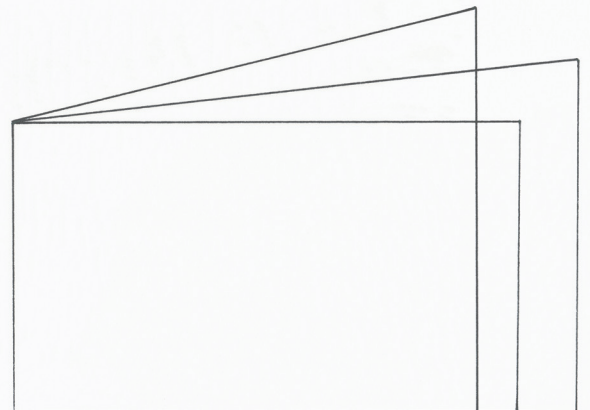
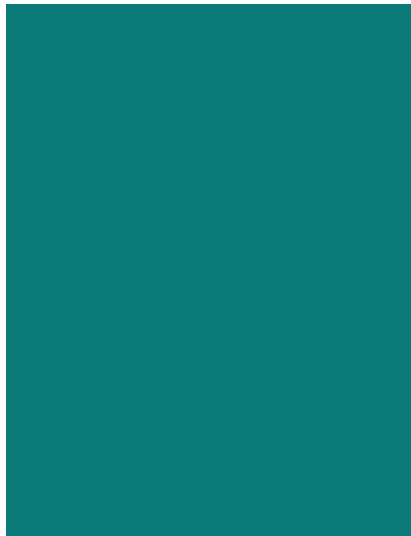
1" galvanized metal top with bullnose edge
Round, square, or rectangle
Available in 11 powder coats

SPACE PLANNING



GITHUB, SAN FRANCISCO, CALIFORNIA

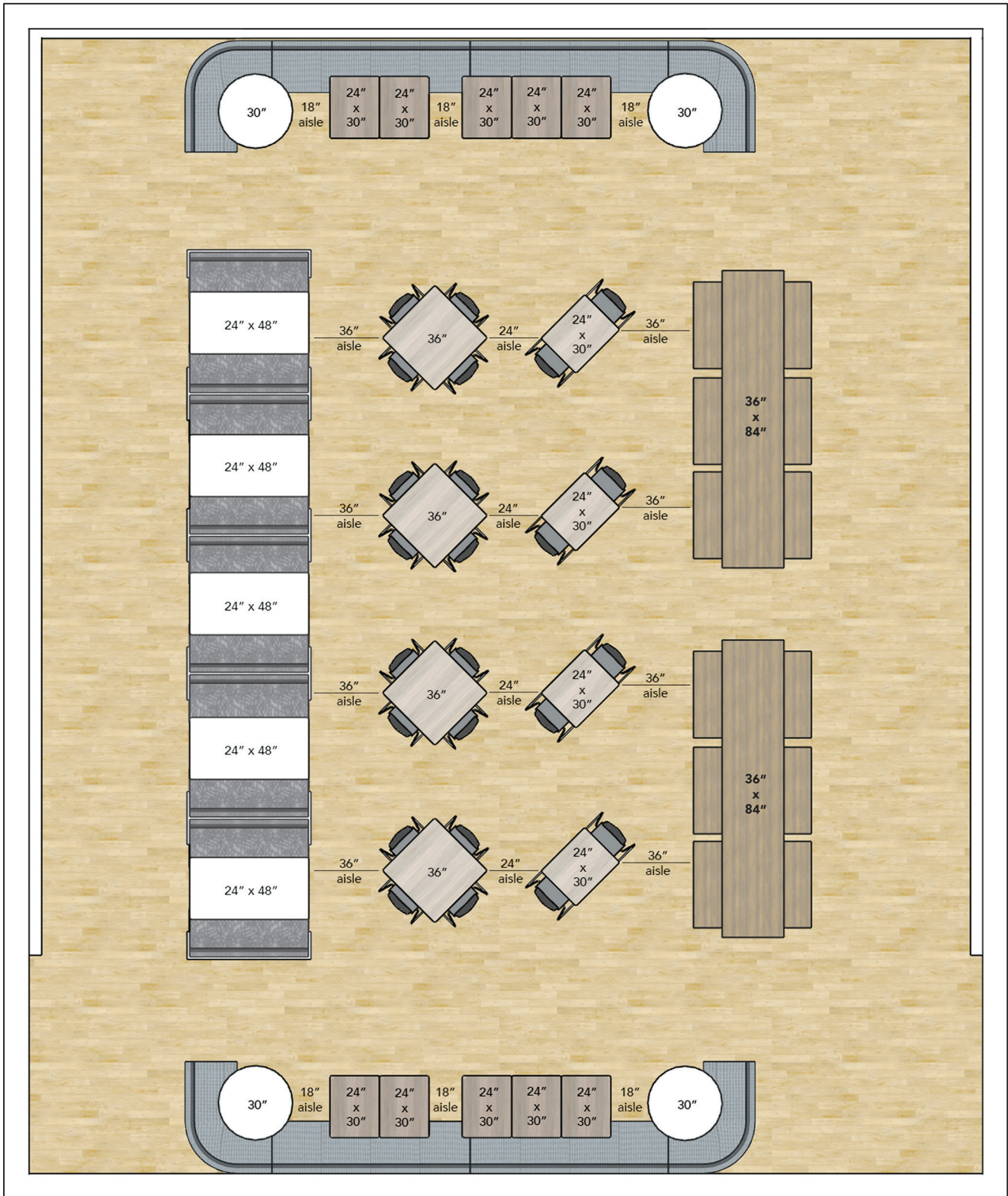
Product: Straight Banquette & Bench



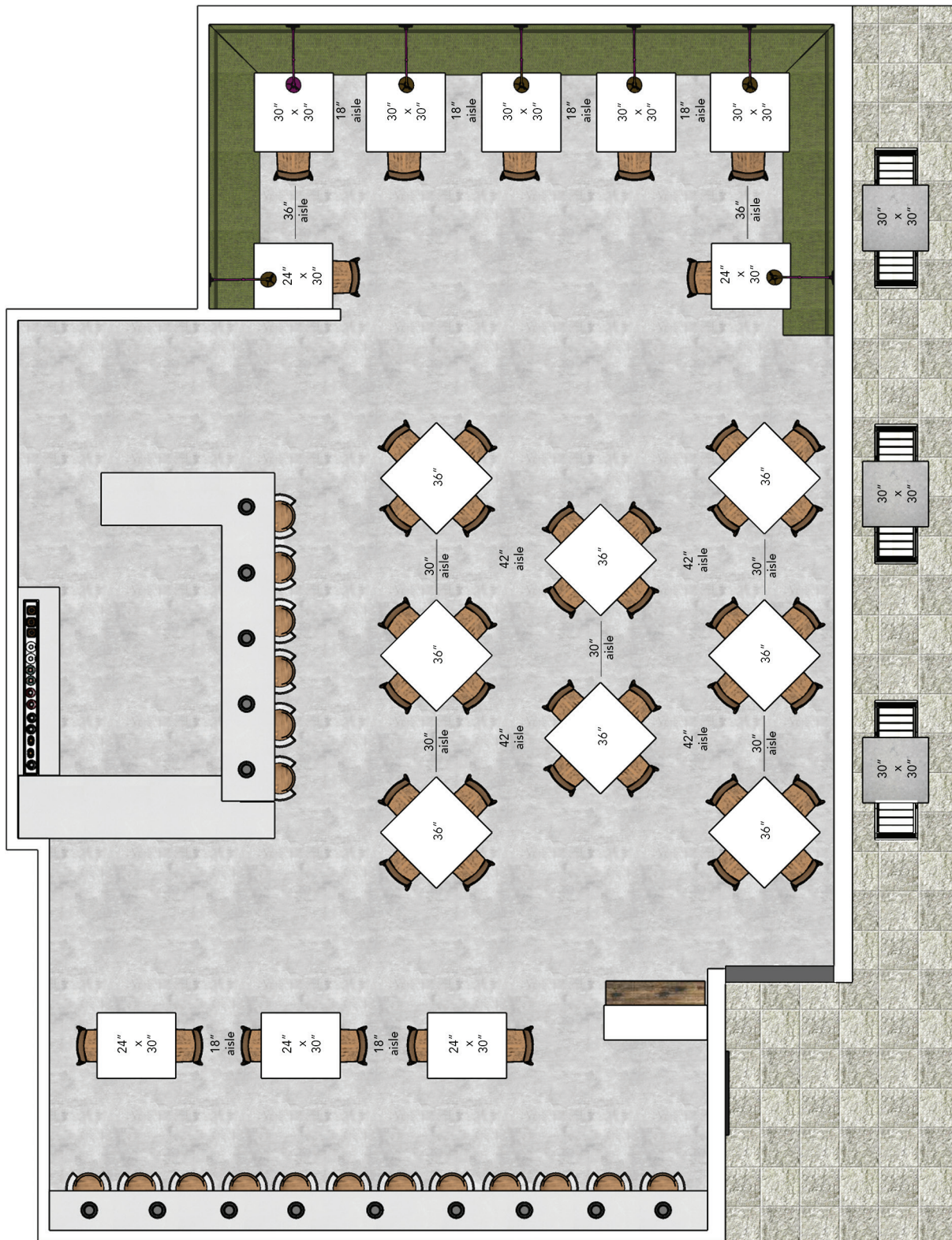


SPACE PLANNING – Lobby Layout





SPACE PLANNING – Dining Layout



Seating Capacity All dimensions are based on 18" from table edge to chair back to allow for seated person.

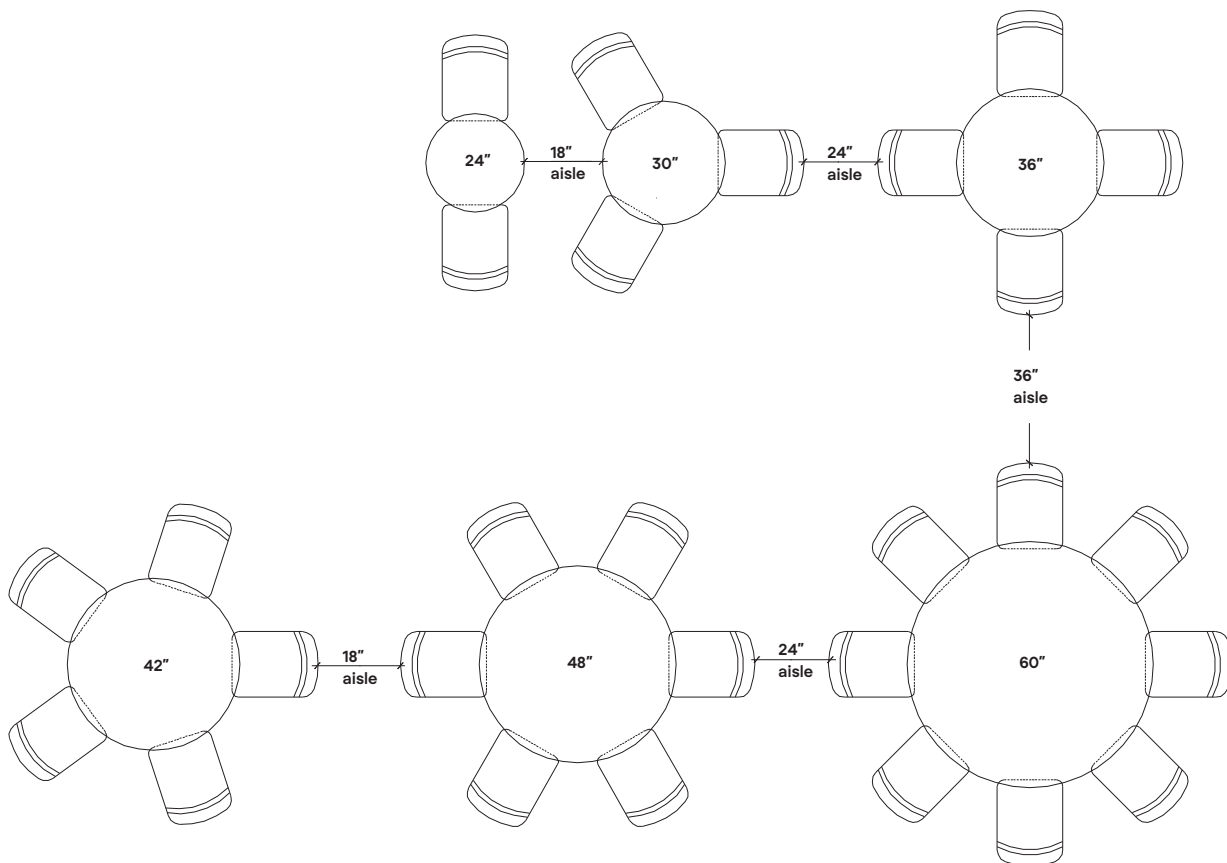
Spacious Dining 14 sq. ft. per person

Cafeteria or Restaurant Dining 12 sq. ft. per person

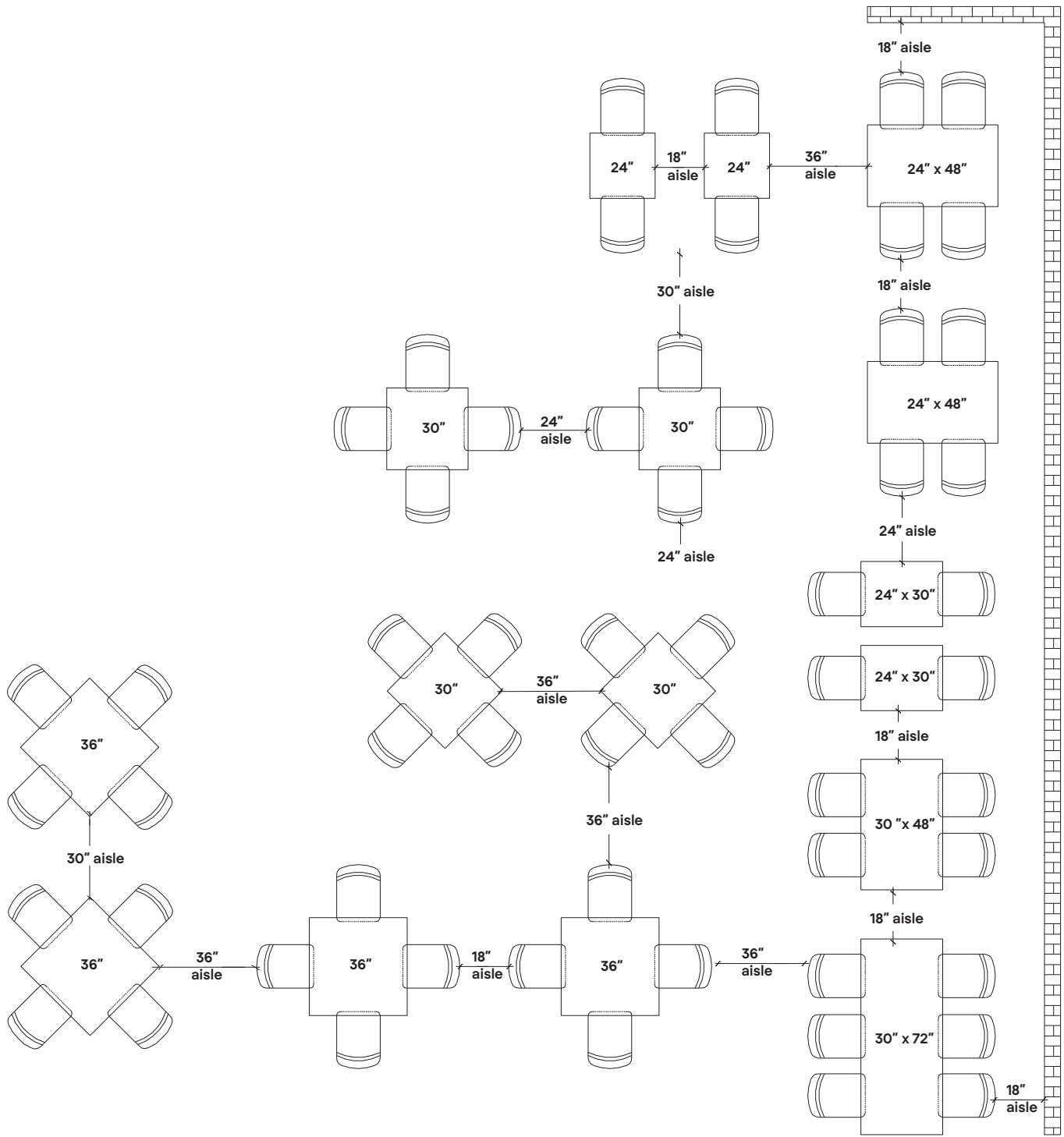
Banquette, Institutional, Fast Food Dining or Close Seating 10 sq. ft. per person

Aisle Allowances

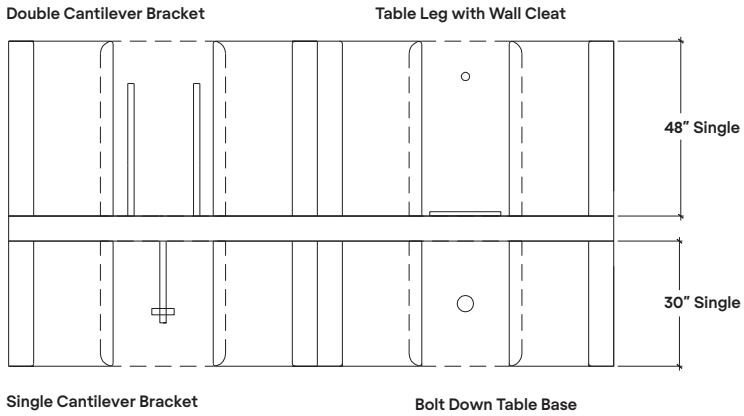
- Chair back to chair back: 18" to 24" aisle 6" min. for access only
- Table corner to table corner: 24" to 36" aisle 12" min. for access only
- Table side by side: 16" to 18" aisle 3" to 6" for no access
- Service aisle: 28" to 36" aisle



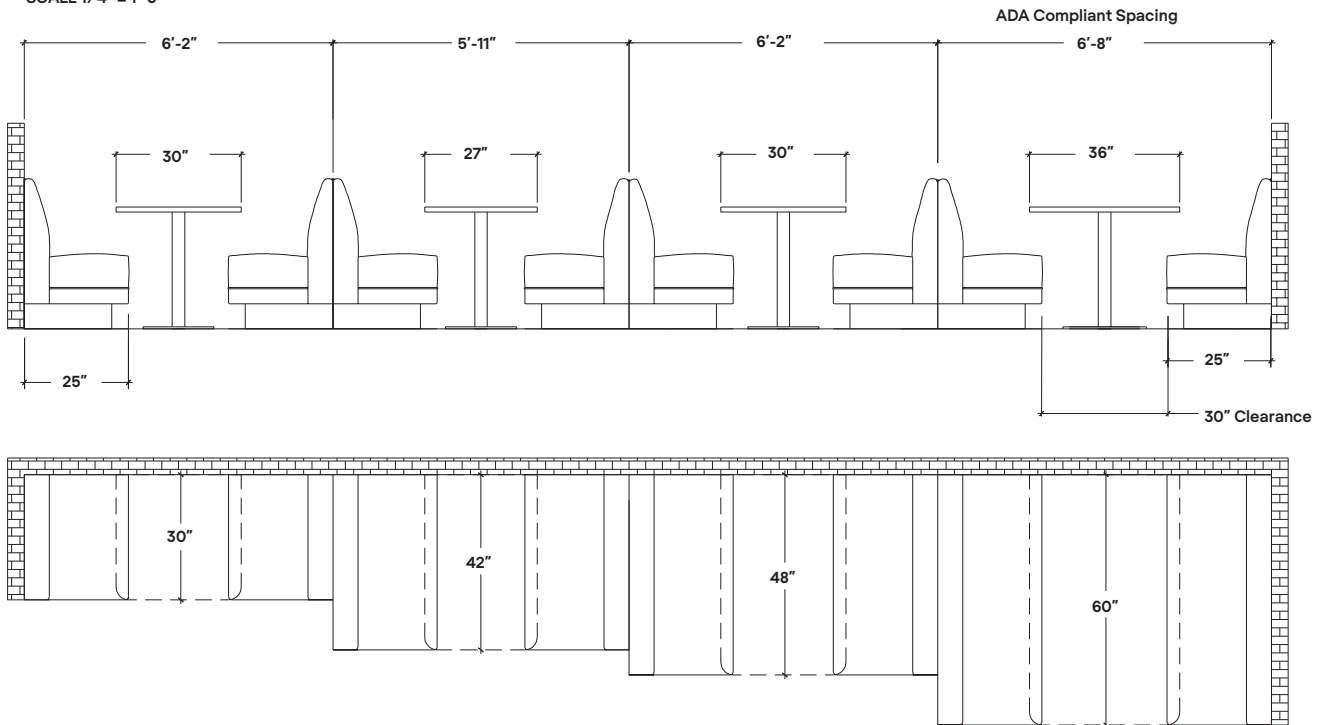
SPACE PLANNING – Table Layouts



FIXED TABLE ALTERNATIVE
SCALE 1/4" = 1'-0"



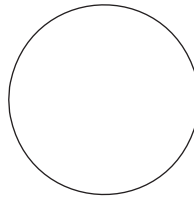
Single and Double Layout
SCALE 1/4" = 1'-0"



SPACE PLANNING – Table Capacity

ROUND

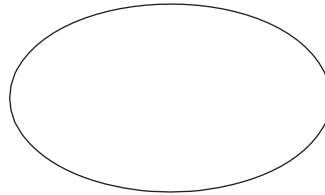
Diameter:	Capacity:
24"	2
30"	3
36"	4
42"	5
48"	6
54"	7
60"	8



Seating Capacity is based on an average chair width of 18" to 22" with 5" between chairs.

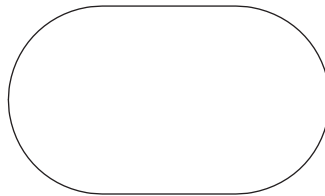
OVAL

Depth x Width:	Capacity:
36" x 72"	6 - 8
42" x 54"	4 - 6
42" x 78"	6 - 8
42" x 84"	6 - 8
48" x 78"	6 - 8
48" x 96"	8



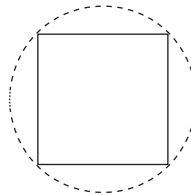
RACETRACK

Depth x Width:	Capacity:
30" x 60"	6
30" x 72"	6 - 8
30" x 84"	6 - 8
30" x 96"	8
36" x 60"	6
36" x 72"	6 - 8
36" x 84"	6 - 8
36" x 96"	8
42" x 72"	6 - 8
42" x 84"	6 - 8
42" x 96"	8
48" x 96"	8
48" x 120"	10 - 12



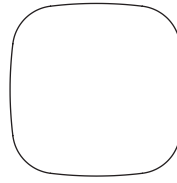
EXTENDO

Depth x Width:	Diameter:	Capacity:
30" x 30"	42"	6 - 8
34" x 34"	48"	4 - 6
36" x 36"	51"	6 - 8
42" x 42"	60"	6 - 8



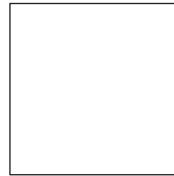
RD SQUARE

Depth x Width:	Capacity:
24" x 24"	2
30" x 30"	2 - 4
36" x 36"	4
42" x 42"	4
48" x 48"	4



SQUARE

Depth x Width:	Capacity:
24" x 24"	2
30" x 30"	2 - 4
36" x 36"	4
42" x 42"	4
48" x 48"	4



RECTANGLE

Depth x Width:	Capacity:
18" x 48"	2
18" x 60"	3
18" x 72"	3
18" x 84"	3
18" x 96"	4
20" x 36"	2
24" x 30"	1 - 2
24" x 36"	2
24" x 42"	4
24" x 48"	4
24" x 60"	6
24" x 72"	6
24" x 84"	6
24" x 96"	8
30" x 36"	2
30" x 42"	2 - 4
30" x 48"	4
30" x 60"	6
30" x 72"	6 - 8
30" x 84"	6 - 8
30" x 96"	8
36" x 42"	2 - 4
36" x 48"	4
36" x 60"	6
36" x 72"	6 - 8
36" x 84"	6 - 8
36" x 96"	8
42" x 72"	6 - 8
42" x 84"	6 - 8
42" x 96"	8
48" x 72"	8
48" x 120"	10 - 12



TABLE SEATING – ADA Recommendations

WHEELCHAIR ACCESS

To comply with ADA regulations for wheelchair access to tables WCI recommends a minimum clearance of 27" from the floor to the bottom of the table; a minimum 30" barrier free width and a minimum barrier free depth of 19". In addition there must be a minimum of 30" unobstructed space from the table edge. Overall table height cannot exceed 34".

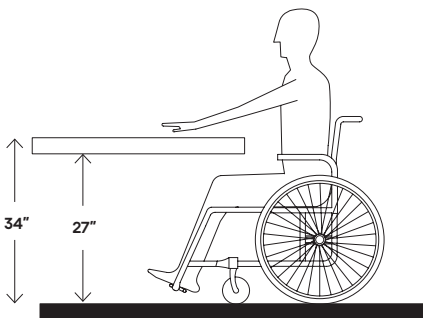
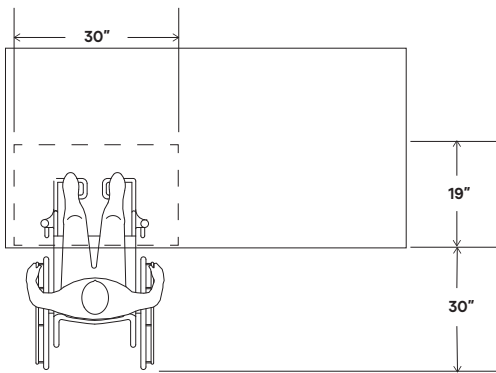
For more information on ADA requirements, the following websites may be useful:

National Network of ADA Centers: www.adata.org

U.S. Justice Department - ADA Home Page: www.ada.gov

ABA and ABA Guidelines Home Page: www.access-board.gov

Minimum Clearance Recommendations



WCI ADA Table Recommendations

42" x 42" Post leg square table (PO4242SQ)

23" x 39" Bistro ADA rectangle table (BI2339REOD)

30" x 48" T- base rectangle table (DUT3048RE, ALT3048RE, MA-T3048RE, PRT3048RE, SLT3048RE, SVT3048RE, TUT3048RE)

ADA Logo

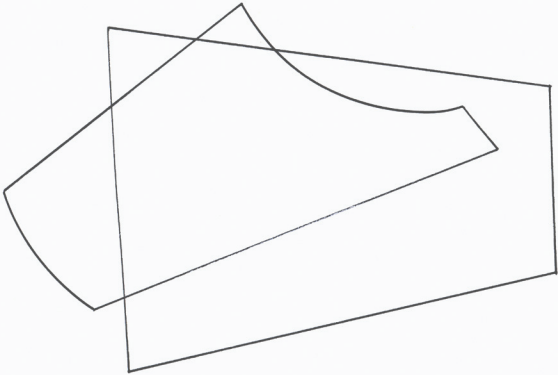
The ADA logo is standard on the Bistro Outdoor rectangle table. The blue ADA symbol is 1.75" high x 5" wide and is inset from the front table edge on the right-hand side (from seated position).

Drawing is not to scale.



Please offer this table to our customers with disabilities

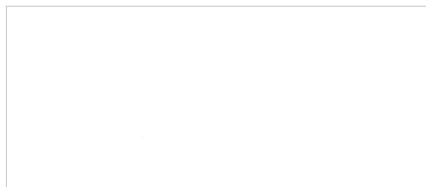
MATERIALS & FINISHES



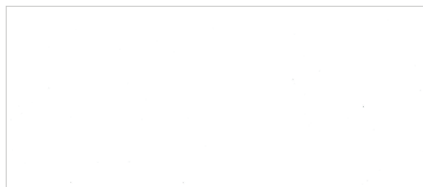
TABLES – Materials & Finishes

BASE FINISHES

Powder Coat – Solids



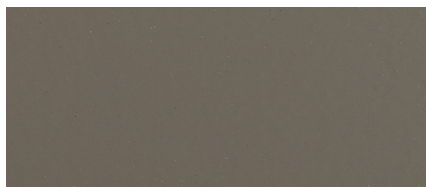
Matte White MWM



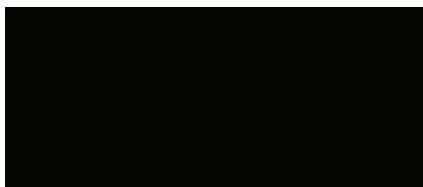
Gloss White MWG



Light Grey MLG



Medium Grey MMG



Matte Black MBM

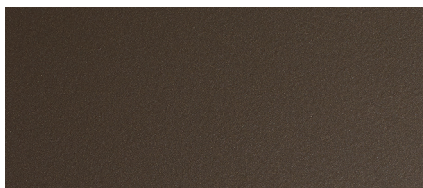


Gloss Black MBG

Metallics

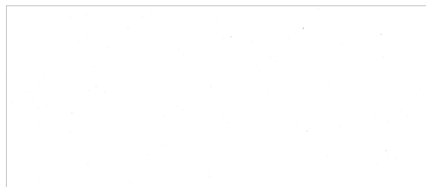


Silver MSL



Dark Bronze MDB

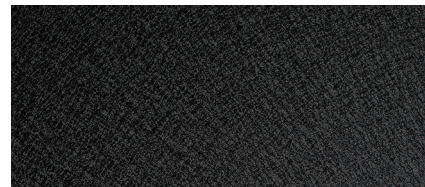
Textures



White Texture MWT



Rubbed Bronze MRB

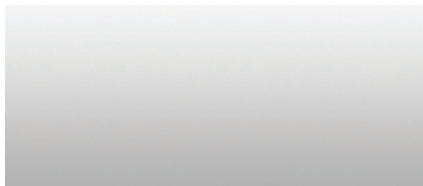


Black Texture MBT

Plated – Standards



Satin Chrome MSC



Polished Chrome MPC

BASE FINISHES

Plated – Premiums



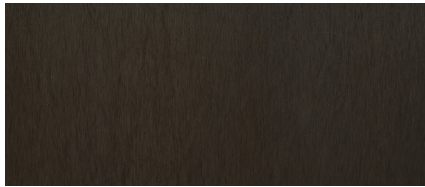
Satin Brass MSB



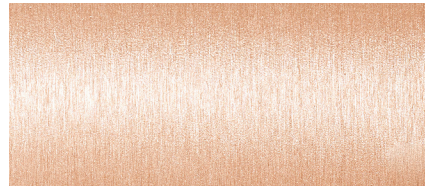
Polished Brass MPB



Antique Brass MAB



Blackened Brass MBB



Satin Copper MSO



Polished Copper MPO



Statuary Bronze MSZ

Aluminum



Satin Aluminum MSA



Polished Aluminum MPA

Stainless Steel

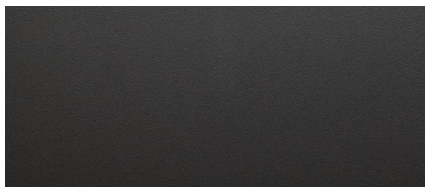


Satin Stainless Steel MSS



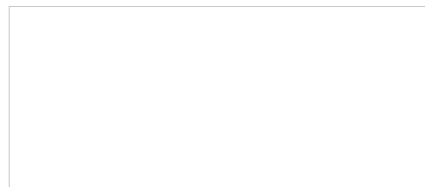
Polished Stainless Steel MPS

Hot Rolled Steel



Hot Rolled Steel MHS

Custom

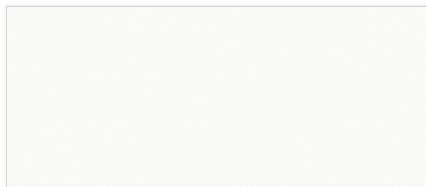


Custom Powder Coat CPC

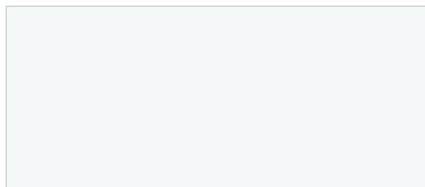
TABLES – Materials & Finishes

SURFACE MATERIALS

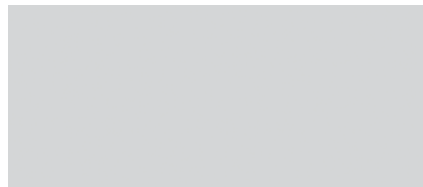
Laminate – Solids



Dover White LDV



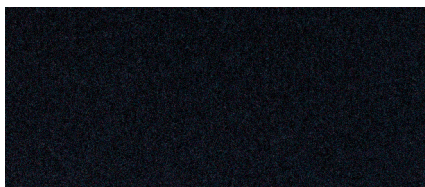
Designer White LDW



Fashion Grey LFG

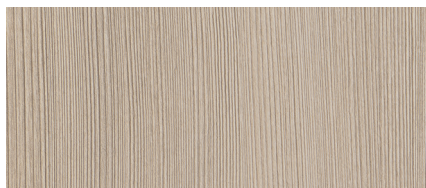


Mouse LMS



Jett Black LJB

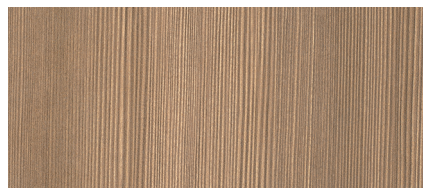
Wood Looks



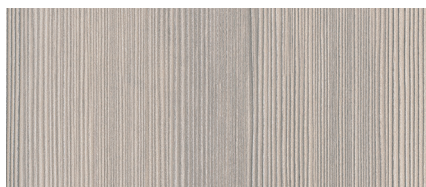
High Line LHL



Park Elm LPE



Appears Likeatre LAL



Looks Likeatre LLT



5th Ave. Elm LAE



Studio Teak LST



Sable LSB



Serene Stardom LSS



Calm Distinction LCD



Easy Elegance LEE

Patterns



Cool Chic LCC

See WCI Laminate Reference Guide on page 57-58 for additional information.

SURFACE MATERIALS

Laminate – Metal Looks



Pearl Silver LPS



Satin Oxide LSO



Silver Alu Metalx LSA

Wood Veneer – Ash



Clear Ash WCA



Natural Ash WNA



Taupe Ash WTA



Amber Ash WAA



Walnut Ash WWA



Dark Ash WDA

Rift Cut Oak



Natural Rift Oak WNO



Medium Rift Oak WMO



Dark Rift Oak WDO



Ebony Rift Oak WEO

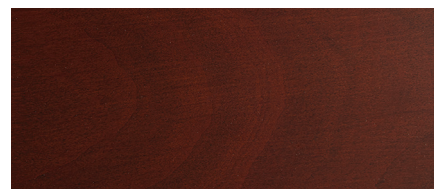
Maple



Natural Maple WNM



Golden Maple WGM



Dark Maple WDM

TABLES – Materials & Finishes

SURFACE MATERIALS

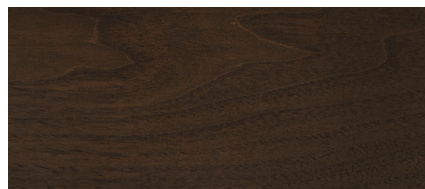
Wood Veneer – Walnut



Natural Walnut WNW



Medium Walnut WMW

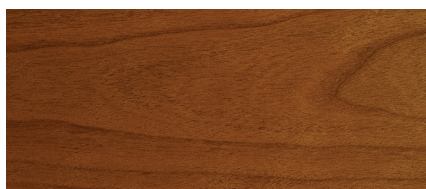


Dark Walnut WDW

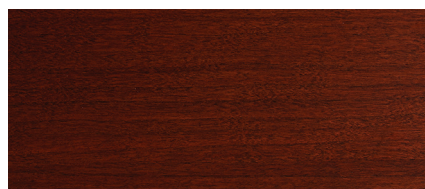
Cherry



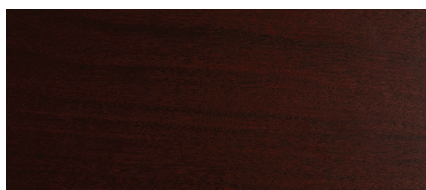
Natural Cherry WNC



Medium Cherry WMC



Dark Cherry WDC



Mahogany Over Cherry WMA

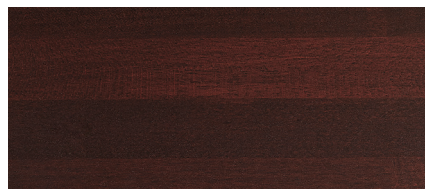
Solid Wood



Natural Maple BNM



Natural Cherry Over Maple BNC



Mahogany Over Maple BMA

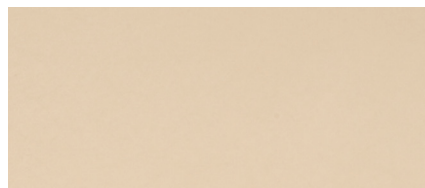
3form® Chroma®



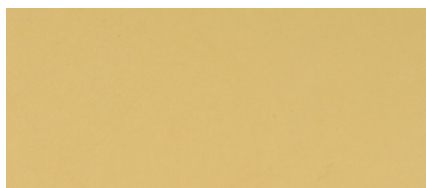
White Out FWH



Pewter FPW



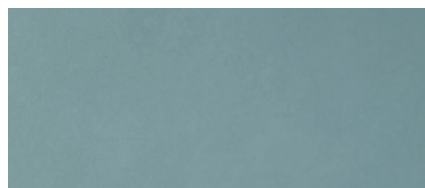
Sable FSB



Camel FCA



Marmalade FMA



Atlantic FAC

SURFACE MATERIALS

3form® Chroma®



Aloe FAE



Moss FMS

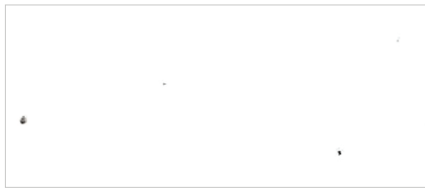


Sassy FSY



Eggplant FEG

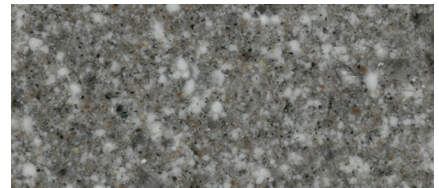
Acrylic – Opaques



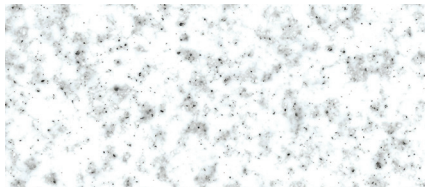
White Quartz AWQ



Khaki AKH



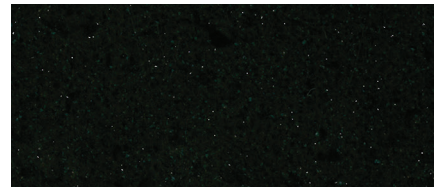
Riverstone ARS



Dove Gray ADG



Gravel AGV



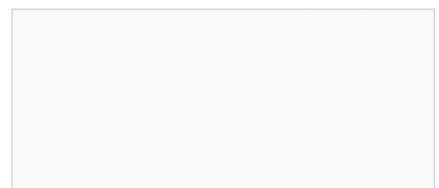
Black Rox ABR

Translucent

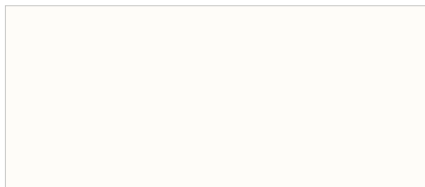


Glacier AGL

Corian – Solids



Designer White CDW



Glacier White CGW



Silver Gray CSG



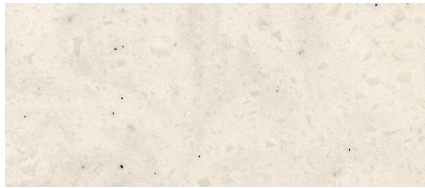
Deep Sable CDS

See WCI Solid Surface Reference Guide on page 59 for additional information.

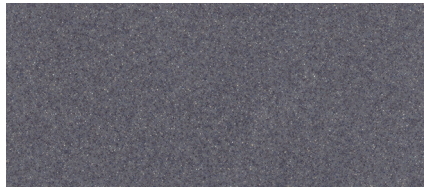
TABLES – Materials & Finishes

SURFACE MATERIALS

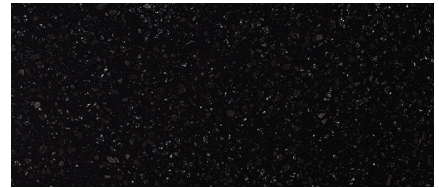
Corian – Patterns



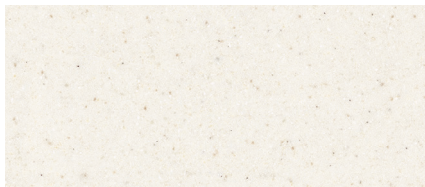
Rain Cloud CRC



Flint CFT



Deep Night Sky CNS



Linen CLN



Deep Mink CDM

Quartz – Caesarstone® (Q1)



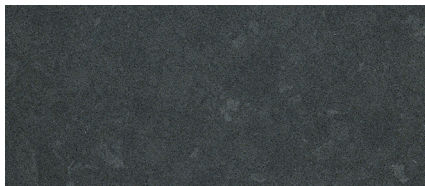
Ocean Foam QOF



Pebble QPB

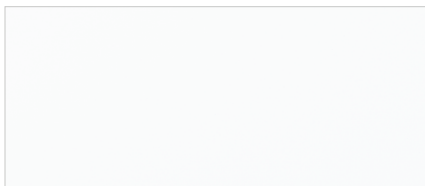


Concrete QCT



Raven QRV

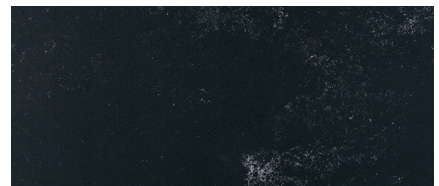
Quartz – Okite® (Q2)



Bianco Assoluto QBA



Bianco Carrara QBC

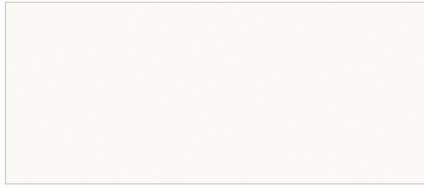


Nero Reale QNR

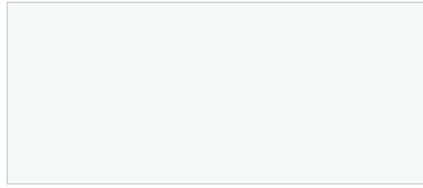
See WCI Quartz Reference Guide on page 60 for additional information.

EDGE MATERIALS

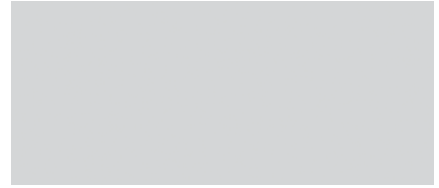
Laminate – Solids



Dover White LDV



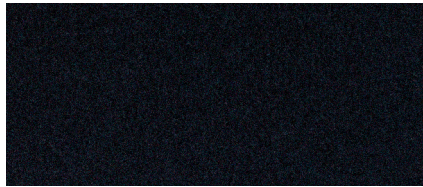
Designer White LDW



Fashion Grey LFG

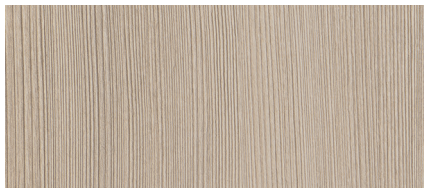


Mouse LMS



Jett Black LJB

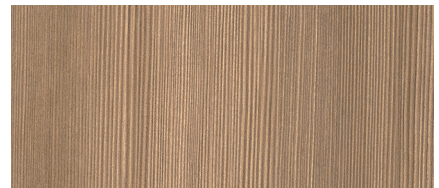
Wood Looks



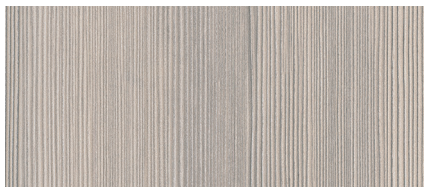
High Line LHL



Park Elm LPE



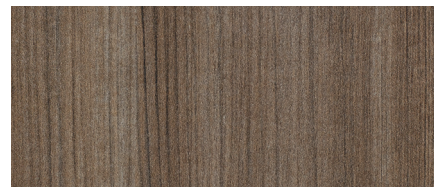
Appears Likeatre LAL



Looks Likeatre LLT



5th Ave. Elm LAE



Studio Teak LST



Sable LSB

Patterns



Cool Chic LCC



Serene Stardom LSS



Calm Distinction LCD



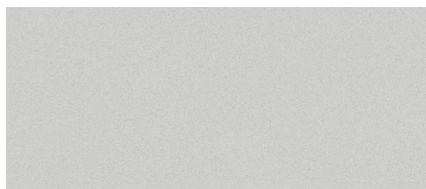
Easy Elegance LEE

See WCI Laminate Reference Guide on page 57-58 for additional information.

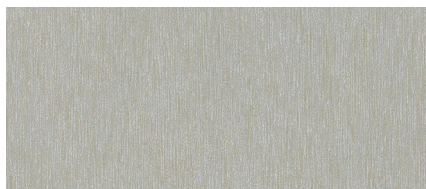
TABLES – Materials & Finishes

EDGE MATERIALS

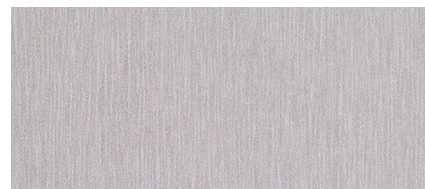
Laminate – Metal Looks



Pearl Silver LPS

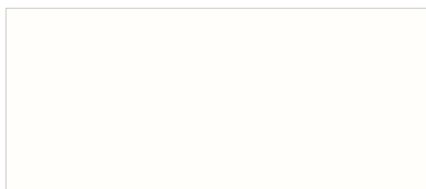


Satin Oxide LSO

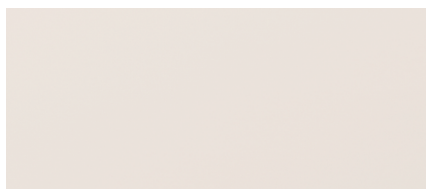


Silver Alu Metalx LSA

Vinyl & PVC



Frosty White VFW



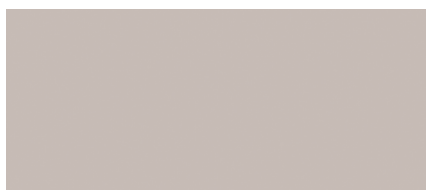
Surf VSR



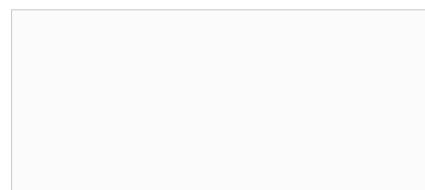
Pepperdust VPD



Tan VTN



Grey VGY



Designer White VWH



Fashion Grey VFG



Fog VFO



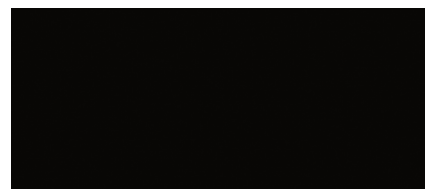
North Sea VNS



Graphite VGP



Slate Grey VSG



Black VBK

EDGE MATERIALS

Wood Veneer – Ash



Clear Ash WCA



Natural Ash WNA



Taupe Ash WTA



Amber Ash WAA



Walnut Ash WWA



Dark Ash WDA

Rift Cut Oak



Natural Rift Oak WNO



Medium Rift Oak WMO



Dark Rift Oak WDO



Ebony Rift Oak WEO

TABLES – Materials & Finishes

EDGE MATERIALS

Wood Veneer – Maple



Natural Maple MNM



Golden Maple MGM



Dark Maple WDM

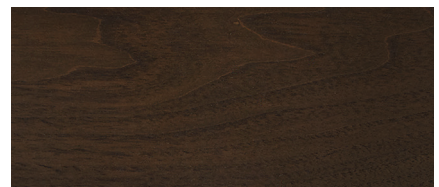
Walnut



Natural Walnut WNW



Medium Walnut WMW

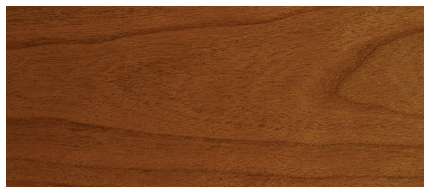


Dark Walnut WDW

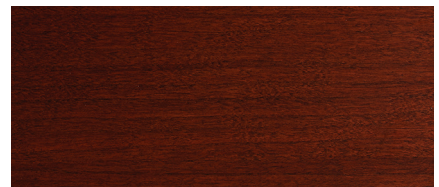
Cherry



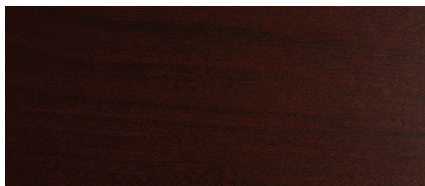
Natural Cherry WNC



Medium Cherry WMC



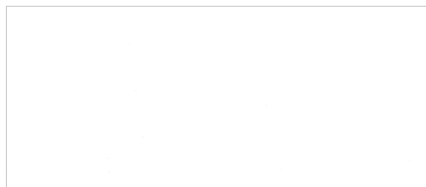
Dark Cherry WDC



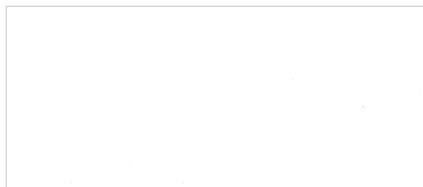
Mahogany Over Cherry WMA

BASE FINISHES

Powder Coat – Solids



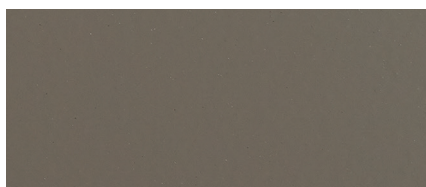
Matte White MWM



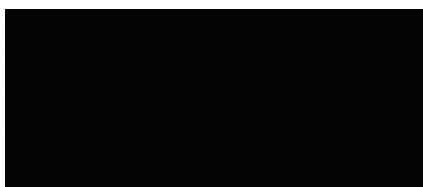
Gloss White MWG



Light Grey MLG



Medium Grey MMG



Matte Black MBM

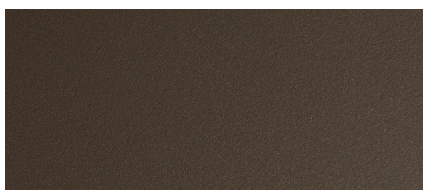


Gloss Black MBG

Metallics

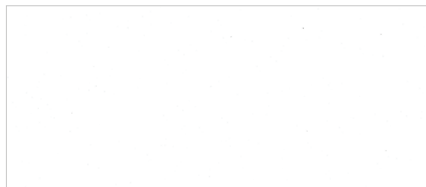


Silver MSL



Dark Bronze MDB

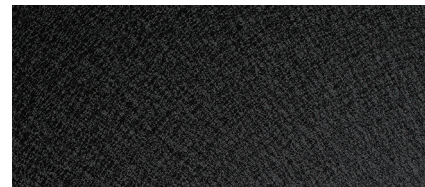
Textures



White Texture MWT

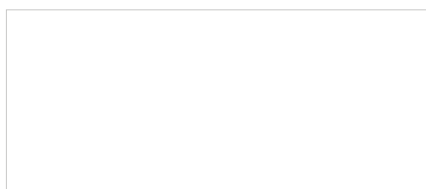


Rubbed Bronze MRB



Black Texture MBT

Custom



Custom Powder Coat CPC



Satin Aluminum MSA

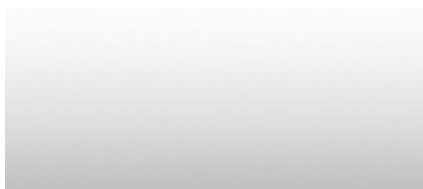


Polished Aluminum MPA

Stainless Steel (not applicable on all tables)



Satin Stainless Steel MSS

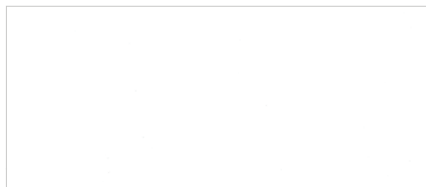


Polished Stainless Steel MPS

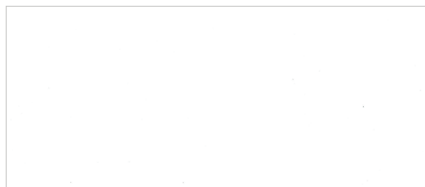
TABLES – Outdoor Materials & Finishes

SURFACE MATERIALS

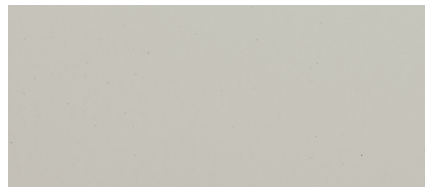
Powder Coat – Solids



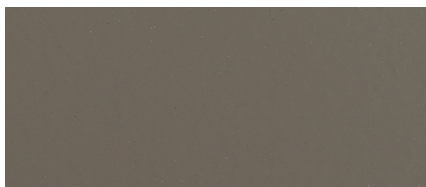
Matte White MWM



Gloss White MWG



Light Grey MLG



Medium Grey MMG



Matte Black MBM

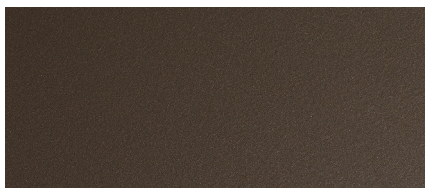


Gloss Black MBG

Metallics

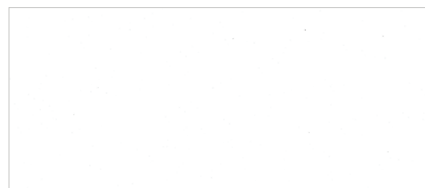


Silver MSL



Dark Bronze MDB

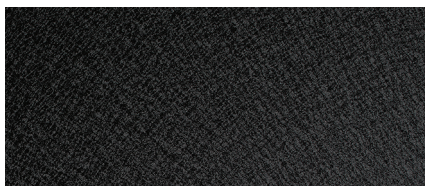
Textures



White Texture MWT



Rubbed Bronze MRB

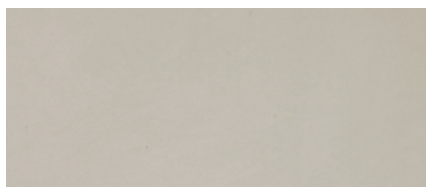


Black Texture MBT

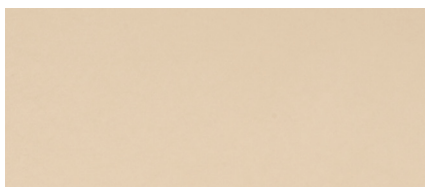
3form® Chroma®



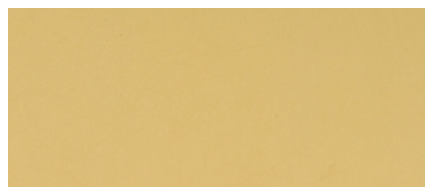
White Out FWH



Pewter FPW



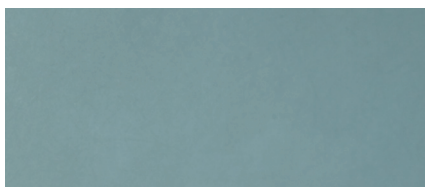
Sable FSB



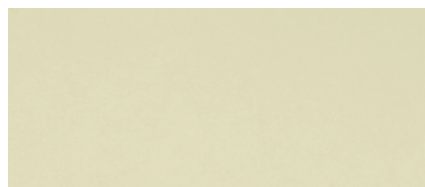
Camel FCA



Marmalade FMA



Atlantic FAC



Aloe FAE

See WCI Solid Surface Reference Guide on page 59 for additional information.

SURFACE MATERIALS

3form® Chroma®



Moss FMS

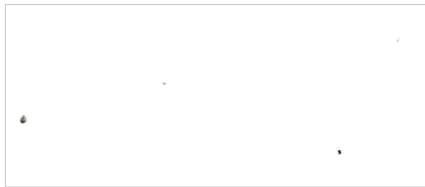


Sassy FSY



Eggplant FEG

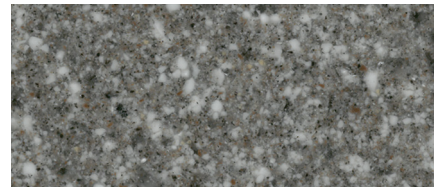
Acrylic – Opaques



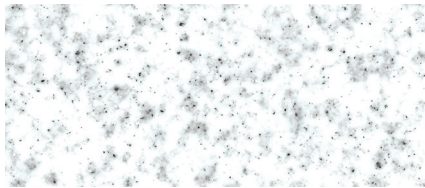
White Quartz AWQ



Khaki AKH



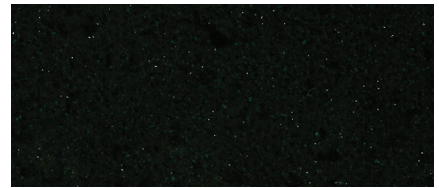
Riverstone ARS



Dove Gray ADG



Gravel AGV



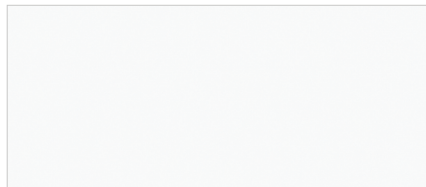
Black Rox ABR

Translucent

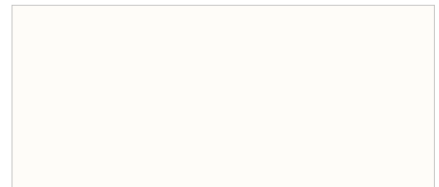


Glacier AGL

Corian – Solids



Designer White CDW



Glacier White CGW



Silver Gray CSG



Deep Sable CDS

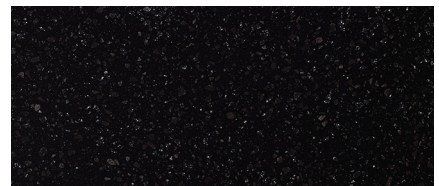
Corian – Patterns



Rain Cloud CRC



Flint CFT



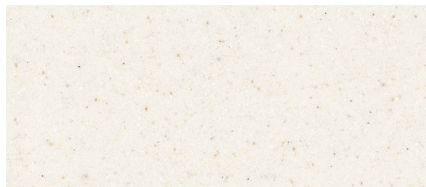
Deep Night Sky CNS

See WCI Solid Surface Reference Guide on page 59 for additional information.

TABLES – Outdoor Materials & Finishes

SURFACE MATERIALS

Corian – Patterns

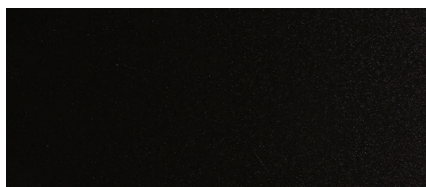


Linen CLN



Deep Mink CDM

Metal – Solid



Metal Solid MES

Metal – Mesh



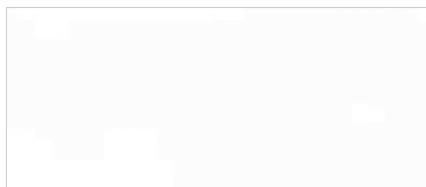
Metal Mesh, Bistro MEM



Metal Mesh, Park MEM

CHAIR MATERIALS

Polypropylene



White PWH

Synthetic Rattan



Honey RHN



Black RBK

Frame Finishes – Aluminum



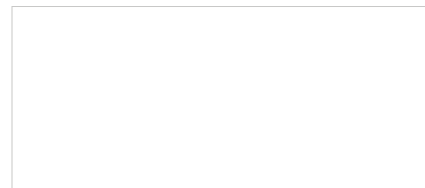
Polished Aluminum MPA

Powder Coat



Silver MSL

Custom



Custom Powder Coat CPC

WCI's standard laminate palette offers 19 solid, wood look, patterned, and metal look laminates all of which are available at standard pricing and lead times.

Materials	Manufacturer Code	Manufacturer Name	WCI Code
Solids			
Formica	7197-58	Dover White	LDV
Wilsonart	D354-60	Designer White	LDW
Wilsonart	D381-60	Fashion Grey	LFG
Formica	928-58	Mouse	LMS
Nevamar	S6053T	Jett Black	LJB
Wood Looks			
Wilsonart	7970K-18	High Line	LHL
Wilsonart	7967K-12	Park Elm	LPE
Pionite	WP115	Appears Likeatre	LAL
Pionite	WP110	Looks Likeatre	LLT
Wilsonart	7966K-12	5th Ave. Elm	LAE
Wilsonart	7960K-18	Studio Teak	LST
Pionite	AG021	Sable	LSB
Patterns			
Nevamar	VA7002T	Cool Chic	LCC
Nevamar	VA5001T	Serene Stardom	LSS
Nevamar	VA6001T	Calm Distinction	LCD
Nevamar	VA5002T	Easy Elegance	LEE
Metal Looks			
Wilsonart	D487-07	Pearl Silver	LPS
Wilsonart	4832K-07	Satin Oxide	LSO
Nevamar	MXT003T	Silver Alu Metalx	LSA

Standard Laminates: WCI offers 19 standard laminates including: Formica, Nevamar, Pionite, and Wilsonart. To see an expanded offering, please visit the laminate manufacturers' websites at:

- formica.com
- nevamar.com
- pionite.com
- wilsonart.com

Non-standard laminates from Formica, Nevamar, Pionite, and Wilsonart are also available. Non-standard WCI laminates will incur a minimum of \$150 list set-up charge per laminate color. Please contact WCI Customer Service at 844-815-2217 for all special laminate requests.

Premium Laminates: Other laminates from these manufacturers or laminates from other manufacturers are available, such as Arborite®, Laminart®, and Abet Laminati®. These require a special pricing; please contact WCI's Customer Service Department at 844-815-2217 for all special laminate requests.

TABLES – Laminate Reference Guide

Standard Laminates

Vinyl/PVC Edges

	Manufacturer	Manufacturer Code	WCI Code	Name	VFW Frosty White	VSR Surf	VPD Pepperdust	VTN Tan	VGY Grey	VWH Designer White	VFG Fashion Grey	VFO Fog	VNS North Sea	VGP Graphite	VSG Slate Grey	VBK Black
Solids	Formica	7197-58	LDV	Dover White	P											
	Wilsonart	D354-60	LDW	Designer White						P						
	Wilsonart	D381-60	LFG	Fashion Grey							P					
	Formica	928-58	LMS	Mouse									P			
	Nevamar	S6053-T	LJB	Jett Black												P
Wood Looks	Wilsonart	7970K-18	LHL	High Line				P								
	Wilsonart	7967K-12	LPE	Park Elm				P								
	Pionite	WP115	LAL	Appears Likeatre				P								
	Pionite	WP110	LLT	Looks Likeatre			P		C							
	Wilsonart	7966K-12	LAE	5th Ave. Elm					P							
	Wilsonart	7960K-18	LST	Studio Teak												P
	Pionite	AG021	LSB	Sable										P		C
Patterns	Nevamar	VA7002T	LCC	Cool Chic		P										
	Nevamar	VA5001T	LSS	Serene Stardom									P			
	Nevamar	VA6001T	LCD	Calm Distinction									P			
	Nevamar	VA5002T	LEE	Easy Elegance										C	P	C
Metal Looks	Wilsonart	D487--07	LPS	Pearl Silver							P					
	Wilsonart	4832K-07	LSO	Satin Oxide			P					C				
	Nevamar	MXTO03T	LSA	Silver Alu Metalx								P	C			

P : Primary Match (recommended)
 C : Compatible Match (alternative)

3form® Chroma®

3form® Chroma® is a solid surface material produced from optical grade engineered resin providing luminous color for horizontal table top applications. Ideal for high-end detail with a minimalist design aesthetic.

WCI 3form® Standard Colors	WCI Code
White Out	FWH
Pewter	FPW
Sable	FSB
Camel	FCA
Marmalade	FMA
Atlantic	FAC
Aloe	FAE
Moss	FMS
Sassy	FSY
Eggplant	FEG

3form® Chroma® tops are sold separately. Custom size and shape tops and additional colors are available and require special pricing from WCI's Customer Service Department. A minimum of five 3form® Chroma® tops is required, per color, for non-standard 3form® Chroma® top orders. Please contact WCI Customer Service at 844-815-2217 for all special 3form® Chroma® requests. To order samples or to see an expanded offering, please visit 3form's website: www.3-form.com/order/

Corian®

Corian® is a solid surface material created by DuPont, composed of acrylic polymer and alumina trihydrate. Corian® is available in a vast range of trendsetting patterns and tones.

WCI Corian® Standard Colors	WCI Code
Designer White	CDW
Silver Gray	CSG
Rain Cloud	CRC
Flint	CFT
Deep Night Sky	CNS
Glacier White	CGW
Linen	CLN
Deep Mink	CDM
Deep Sable	CDS

Corian® tops are not sold separately as a standard product. All top-only requests must be processed as a custom product. Steel sub-frames are designed to fit only WCI's standard bases. A minimum of five Corian® tops, per color, is required for non-standard Corian® top orders. To see an expanded offering, please visit Corian's website: www.dupont.com

TABLES – Quartz Reference Guide

Caesarstone® Quartz and Okite® Quartz

Engineered stone tops offer one of the most durable stone composite surfaces. They are one of the toughest yet most beautiful of all minerals and have the look and feel of stone offering a more non-porous, scratch-resistant, stain-resistant and heat-resistant properties.

Q1

WCI Caesarstone® Standard Colors	Manufacturer Code	WCI Code
Ocean Foam	6141	QQF
Pebble	4030	QPB
Concrete	2003	QCO
Raven	4120	QRV

Q2

WCI Okite® Standard Colors	Manufacturer Code	WCI Code
Bianco Assoluto	1665	QBA
Bianco Carrara	1896	QBC
Nero Reale	1804	QNR

Quartz tops are not sold separately as a standard product. The material is only available for the following tables:

Basic Round
Blok
Disc
Flat Round
Kone
Platform
Platform Double
Regency
Tulip
Vista

Our standard quartz top offering features Okite® and Caesarstone® and is composed of up to 93% natural quartz and polymer resin. A minimum of five quartz tops, per color, is required for non-standard quartz top orders.

To see an expanded offering, please visit the manufacturers' websites.

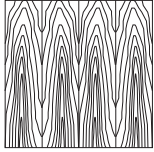
Caesarstone®: caesarstoneus.com/products

Okite®: okite.com/us/prodotti

WCI wood veneer is bookmatched as standard.

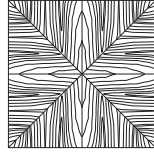
For custom veneer patterns contact customer service at **844-815-2217** for quotation.

WCI Standard

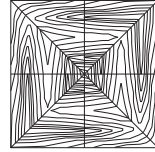


Bookmatched

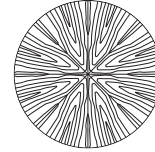
Custom Patterns



Reverse diamond



Box diamond

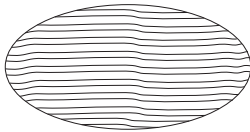


Sunburst

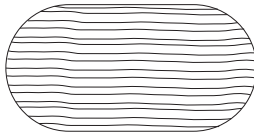
Long grain is standard on all WCI tables.

Single piece tables are available in lengths longer than 10' and are subject to material length availability.

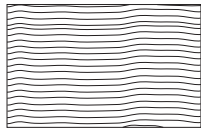
Note: Material length restrictions may require WCI to manufacture the tables in two or more sections.



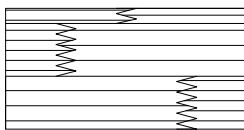
Long grain is standard on all WCI oval table tops



Long grain is standard on all WCI racetrack tables.



Long grain is standard on all WCI rectangle tables.



Finger jointed strips are standard on all WCI butcher block table requests.

CREATE



**Technical
Masters,
Rebellious
Thinkers,
Creative
Partners.**

