

Laminate			Wood				
Self Edge	Vinyl Edges	PVC Edges	Wood Edges Group A	Wood Edges Group B	Wood Edges Group A	Wood Edges Group B	Butcher Block
LLSE Self Edge	LVFL Flat	LPVC PVC	LWFL Flat	LWSQ Square	WWFL Flat	WWSQ Square	BBFL Flat
	LVBP Bumper		LWTP Tapered Ply	LWBN Bullnose	WWTP Tapered Ply	WWBN Bullnose	BBBN Bullnose
			LWFP Flat Ply	LWPR Prism	WWFP Flat Ply	WWPR Prism	

Ultrafoam		Solid Surface		Quartz	
Ultrafoam	Acrylic	Corian*	3form* Chroma*	Caesarstone* Q1	Okite* Q2
ULFP PVC	AAOP Opaque	COFL Flat	3FFL Flat	Q1FL Flat	Q2FL Flat
ULFR Raw	AATL Translucent	COBN Bullnose	3FBN Bullnose	Q1BN Bullnose	Q2BN Bullnose
		COPR Prism	3FPR Prism		

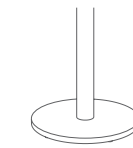
Complete Table List Pricing

	Top Size	Base Qty.	Model #	\$							
Round	24	1	FR24RD	678	678	734	912	1,102	923	1,183	1,088
	30	1	FR30RD	746	746	815	1,039	1,242	1,039	1,340	1,365
	36	1	FR36RD	987	987	1,068	1,332	1,567	1,361	1,685	1,861
	42	1	FR42RD	1,100	1,100	1,191	1,462	1,752	1,567	1,893	2,451
	48	1	FR48RD	1,216	1,216	1,318	1,618	1,951	1,743	2,118	2,760
	54	1	FR54RD	1,467	1,467	1,585	1,987	2,674	2,142	2,914	-
	60	1	FR60RD	1,665	1,665	1,792	2,121	2,766	2,525	3,020	-
Oval	36	72	FR3672OV	1,633	1,633	1,690	1,924	2,174	2,118	2,361	-
	42	54	FR4254OV	1,607	1,607	1,638	1,868	2,235	2,037	2,303	-
	42	78	FR4278OV	2,237	2,237	2,284	2,501	2,748	2,661	2,938	-
	42	84	FR4284OV	2,300	2,300	2,361	2,557	2,839	2,721	3,040	-
	48	78	FR4878OV	2,591	2,591	2,656	2,845	3,125	3,017	3,331	-
	48	96	FR4896OV	2,789	2,789	2,852	3,012	3,317	3,419	3,775	-
Racetrack	30	60	FR3060RA	1,445	1,445	1,510	1,861	2,174	1,975	2,363	-
	30	72	FR3072RA	1,522	1,522	1,603	1,944	2,331	2,071	2,479	-
	30	84	FR3084RA	1,781	1,781	1,853	2,054	2,599	2,195	2,820	-
	30	96	FR3096RA	1,859	1,859	1,939	2,159	2,840	2,305	3,049	-
	36	60	FR3660RA	1,519	1,519	1,596	1,924	2,268	2,049	2,449	-
	36	72	FR3672RA	1,610	1,610	1,698	2,072	2,458	2,215	2,650	-
	36	84	FR3684RA	1,876	1,876	1,965	2,185	2,712	2,347	2,964	-
	36	96	FR3696RA	1,966	1,966	2,070	2,305	2,967	2,479	3,166	-
	42	72	FR4272RA	2,006	2,006	2,089	2,443	2,887	2,522	3,206	-
	42	84	FR4284RA	2,291	2,291	2,366	2,554	3,173	2,718	3,532	-
	42	96	FR4296RA	2,399	2,399	2,476	2,693	3,396	2,876	3,842	-

Continued on next page

How to Order

Table Model Number						Options	
FR	36	RD	WWSQ	WMW	N/A	MBM	GSL
Base Series	Top Size	Top Shape	Top Material Edge Profile	Top Finish	Edge Finish	Base Finish	Super Level Glides
A FR36RDWWSQWMWMBM is a Flat Round series 36" round table with a black powder coat round base and a wood veneer 1.25" thick top with a 1.25" square wood edge profile.						Edge finish applies when edge material is different from top material.	The code: GSL specifies super level glides.



Options

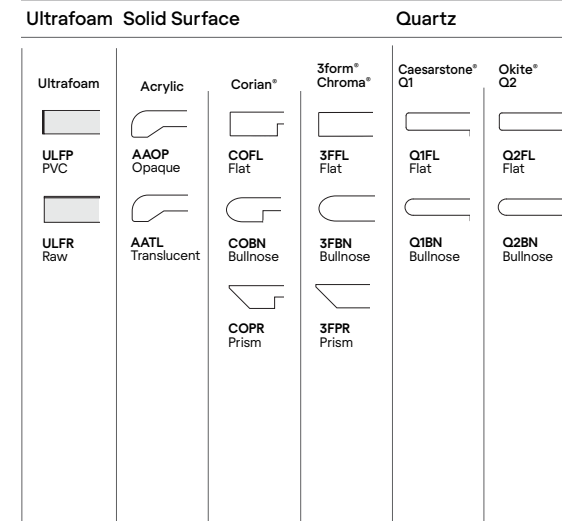
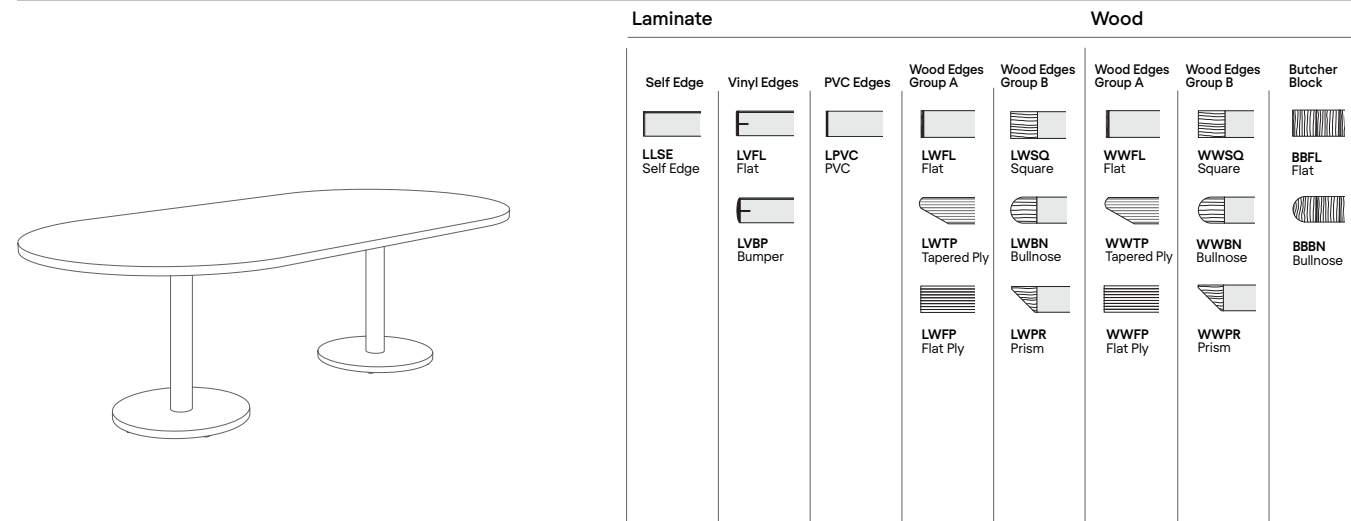
Base Finishes		
Standard Powder Coat	use finish code	n/c
Polished or Satin Chrome (per base)	use finish code	\$203
Premium Plated (per base)	use finish code	Ⓢ
Stainless Steel Column and Base Cover (per base)	use finish code	Ⓢ
Custom Powder Coat (set-up charge)	CPC	\$381

Base Options		
Counter Height	CH	Ⓢ
Bar Height	BH	Ⓢ
Alternate Height Base (per column)	AH	\$69
Super Level Glides (per base)	GSL	\$36
Custom Top Plate Size	CTPS	Ⓢ
6" Column (black texture and powder coat)	COL6	\$204
6" Column (polished or satin chrome)	COLP6	\$260
6" Column (premium plated)	COLPP6	Ⓢ
6" Column (veneer)	COLV6	\$405
Base sizes may vary with quartz tops		

Top Materials and Finishes		
Any non-standard WCI Laminates (set-up charge)	use manufacturers finish code	\$150
Premium Laminates	PL	Ⓢ
Custom Wood Veneer	CWV	Ⓢ
Special Pattern Veneer	SPV	Ⓢ
Stain to Match (set-up charge)	STM	\$433

Top Options		
Custom Size	CS	Ⓢ
Custom Shape	CSH	Ⓢ
Custom Edge Thickness	CET	Ⓢ
Custom Radius Corner	CRC	Ⓢ
3" Radius Corner (per corner)	CRL3	\$36
(laminate self edge, ultrafoam, Corian®, 3form® Chroma®, quartz)		
3" Wood Radius Corner (per corner)	CRW3	\$86
(not available in LWFL and WWFL)		

Grommets		
2" Round Metal Grommet - Matte Black	GMBM	\$145
2" Round Metal Grommet - Satin Chrome	GMSC	\$145
2" Round Metal Grommet - Polished Chrome	GMPC	\$145
2" Round Plastic Grommet - Matte Black	GPMBM	\$46
Grommet location	use location code	n/c



Complete Table List Pricing

	Top Size		Base Qty.	Model #	\$							
Racetrack	48	96	2	FR4896RA	2,515	2,515	2,604	2,919	3,650	3,333	3,905	-
	48	120	2	FR48120RA	2,753	2,753	2,867	3,192	4,032	3,676	4,413	-
RD Square	24	24	1	FR2424RS	679	679	741	912	1,102	923	1,183	-
	30	30	1	FR3030RS	746	746	822	1,039	1,242	1,039	1,340	-
	36	36	1	FR3636RS	987	987	1,063	1,320	1,567	1,361	1,685	-
	42	42	1	FR4242RS	1,086	1,086	1,172	1,462	1,752	1,567	1,893	-
	48	48	1	FR4848RS	1,344	1,344	1,444	1,744	2,077	1,869	2,244	-
Square	24	24	1	FR2424SQ	679	679	741	912	1,102	923	1,183	1,167
	30	30	1	FR3030SQ	746	746	822	1,039	1,242	1,039	1,340	1,469
	36	36	1	FR3636SQ	987	987	1,063	1,320	1,567	1,361	1,685	1,993
	42	42	1	FR4242SQ	1,086	1,086	1,172	1,462	1,752	1,567	1,893	2,658
	48	48	1	FR4848SQ	1,344	1,344	1,444	1,744	2,077	1,869	2,244	3,129
Rectangle	24	30	1	FR2430RE	711	711	764	981	1,190	1,071	1,280	1,298
	24	36	1	FR2436RE	743	743	802	1,051	1,254	1,125	1,354	1,449
	24	42	1	FR2442RE	931	931	982	1,248	1,473	1,327	1,579	1,817
	24	48	1	FR2448RE	971	971	1,034	1,329	1,579	1,419	1,697	1,879
	24	60	2	FR2460RE	1,355	1,355	1,423	1,739	2,023	1,838	2,158	2,475
	24	72	2	FR2472RE	1,420	1,420	1,499	1,848	2,173	1,963	2,329	2,756
	24	84	2	FR2484RE	1,664	1,664	1,737	1,940	2,489	2,067	2,685	2,962
	24	96	2	FR2496RE	1,729	1,729	1,810	2,032	2,625	2,169	2,837	3,168

Continued on next page

\$					
-	-	-	-	-	-
-	-	-	-	-	-
-	-	1,173	-	-	-
-	-	1,455	-	-	-
-	-	1,983	-	-	-
-	-	2,397	-	-	-
-	-	3,007	-	-	-
715	1,365	1,173	1,893	1,788	3,090
783	1,883	1,455	3,002	2,913	4,489
1,036	2,555	1,983	4,168	3,603	5,488
1,149	3,288	2,397	5,431	4,901	6,862
1,418	4,378	3,007	7,025	-	-
737	1,604	1,303	2,547	1,774	3,464
776	1,923	1,430	2,915	2,112	3,990
968	2,215	1,706	3,442	2,374	4,239
1,012	2,423	1,833	3,817	-	-
1,408	-	2,424	4,932	-	-
1,485	-	2,692	5,679	-	-
1,700	-	-	-	-	-
1,776	-	-	-	-	-

Options

Base Finishes		
Standard Powder Coat	use finish code	n/c
Polished or Satin Chrome (per base)	use finish code	\$203
Premium Plated (per base)	use finish code	Ⓢ
Stainless Steel Column and Base Cover (per base)	use finish code	Ⓢ
Custom Powder Coat (set-up charge)	CPC	\$381

Base Options		
Counter Height	CH	Ⓢ
Bar Height	BH	Ⓢ
Alternate Height Base (per column)	AH	\$69
Super Level Glides (per base)	GSL	\$36
Custom Top Plate Size	CTPS	Ⓢ
6" Column (black texture and powder coat)	COL6	\$204
6" Column (polished or satin chrome)	COLP6	\$260
6" Column (premium plated)	COLPP6	Ⓢ
6" Column (vener)	COLV6	\$405

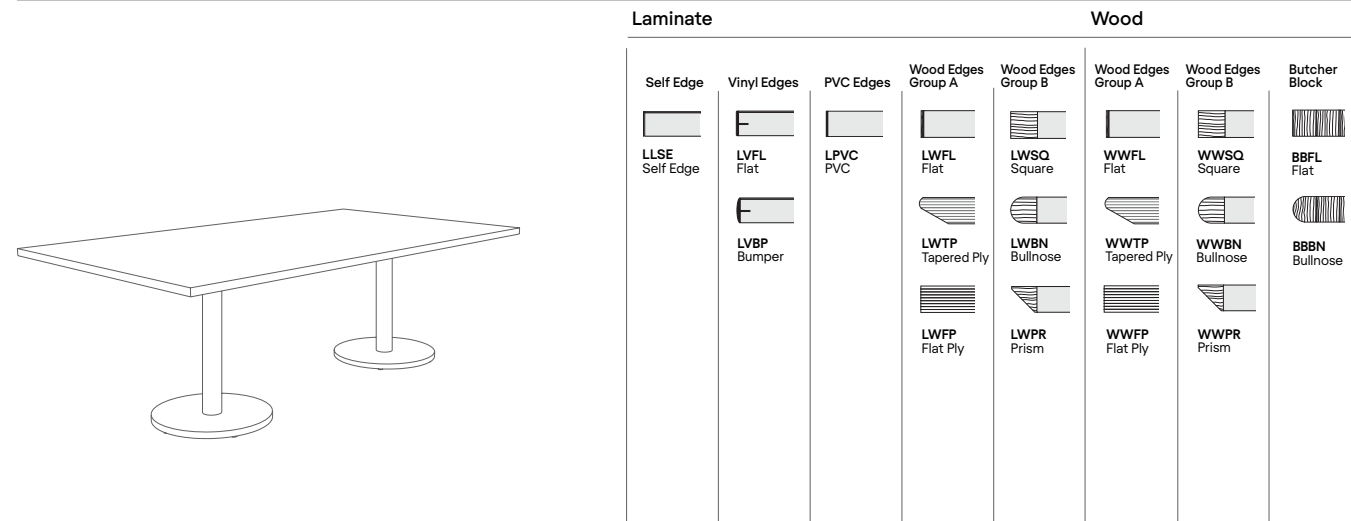
Top Materials and Finishes		
Any non-standard WCI Laminates (set-up charge)	use manufacturers finish code	\$150
Premium Laminates	PL	Ⓢ
Custom Wood Veneer	CWV	Ⓢ
Special Pattern Veneer	SPV	Ⓢ
Stain to Match (set-up charge)	STM	\$433

Top Options		
Custom Size	CS	Ⓢ
Custom Shape	CSH	Ⓢ
Custom Edge Thickness	CET	Ⓢ
Custom Radius Corner	CRC	Ⓢ
3" Radius Corner (per corner)	CRL3	\$36
(laminate self edge, ultrafoam, Corian*, 3form* Chroma*, quartz)		
3" Wood Radius Corner (per corner)	CRW3	\$86
(not available in LWFL and WWFL)		

Grommets		
2" Round Metal Grommet - Matte Black	GMBM	\$145
2" Round Metal Grommet - Satin Chrome	GMSC	\$145
2" Round Metal Grommet - Polished Chrome	GMPC	\$145
2" Round Plastic Grommet - Matte Black	GPMBM	\$46
Grommet location	use location code	n/c

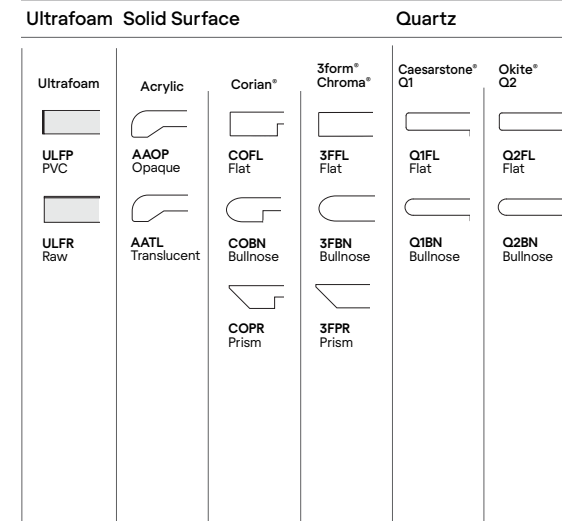
How to Order

Table Model Number						Options		
FR	4896	RA	WWSQ	WMW	N/A	MBM	GMBM	C
Base Series	Top Size	Top Shape	Top Material Edge Profile	Top Finish	Edge Finish	Base Finish	Matte Black Grommet	Location "C"
A FR4896RAWWSQWMWMBM is a Flat Round series 48" x 96" racetrack table with two black powder coat rounds bases and a wood veneer 1.25" thick top with a 1.25" square wood edge profile.					Edge finish applies when edge material is different from top material.		The code: GMBM specifies a matte black 2" diameter metal grommet.	
							The code: C specifies the location of the grommet.	

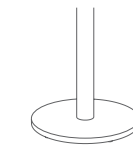


Complete Table List Pricing

	Top Size	Base Qty.	Model #	\$							
Rectangle	30 36	1	FR3036RE	794	794	844	1,111	1,333	1,192	1,441	1,641
	30 42	1	FR3042RE	985	985	1,043	1,368	1,618	1,461	1,742	2,067
	30 48	1	FR3048RE	1,026	1,026	1,089	1,419	1,690	1,521	1,824	2,134
	30 60	2	FR3060RE	1,431	1,431	1,503	1,859	2,169	1,975	2,322	2,784
	30 72	2	FR3072RE	1,508	1,508	1,595	1,944	2,296	2,072	2,464	3,126
	30 84	2	FR3084RE	1,769	1,769	1,843	2,051	2,599	2,190	2,805	3,332
	30 96	2	FR3096RE	1,848	1,848	1,929	2,157	2,793	2,310	3,024	3,538
	36 42	1	FR3642RE	1,038	1,038	1,104	1,431	1,706	1,535	1,840	2,307
	36 48	1	FR3648RE	1,084	1,084	1,153	1,491	1,785	1,600	1,928	2,381
	36 60	2	FR3660RE	1,506	1,506	1,587	1,924	2,257	2,049	2,423	3,085
	36 72	2	FR3672RE	1,598	1,598	1,685	2,068	2,444	2,209	2,634	3,480
	36 84	2	FR3684RE	1,873	1,873	1,952	2,185	2,708	2,342	2,930	3,873
36 96	2	FR3696RE	1,966	1,966	2,059	2,303	2,904	2,475	3,150	4,261	
42 72	2	FR4272RE	1,995	1,995	2,068	2,443	2,887	2,522	2,991	-	
42 84	2	FR4284RE	2,282	2,282	2,361	2,570	3,142	2,836	3,493	-	
42 96	2	FR4296RE	2,388	2,388	2,474	2,707	3,396	2,995	3,542	-	
48 96	2	FR4896RE	2,512	2,512	2,597	2,915	3,650	3,333	3,881	-	
48 120	2	FR48120RE	2,751	2,751	2,860	3,187	3,905	3,676	4,224	-	



	\$					
	831	2,170	1,613	3,483	2,588	4,614
	1,029	2,594	1,919	4,127	2,761	4,739
	1,496	3,783	2,726	5,862	-	-
	1,584	4,618	3,048	6,842	-	-
	1,815	-	-	-	-	-
	1,907	-	-	-	-	-
	1,091	-	2,346	4,797	3,375	5,689
	1,146	3,327	2,714	5,366	-	-
	1,579	4,618	3,054	6,851	-	-
	1,686	5,272	3,422	7,959	-	-
	1,933	6,638	-	-	-	-
	2,042	7,015	-	-	-	-
	2,092	-	-	-	-	-
	2,353	-	-	-	-	-
	2,478	-	-	-	-	-
	2,614	-	-	-	-	-
	-	-	-	-	-	-



Options

<b>Base Finishes</b>		
Standard Powder Coat	use finish code	n/c
Polished or Satin Chrome (per base)	use finish code	\$203
Premium Plated (per base)	use finish code	Ⓢ
Stainless Steel Column and Base Cover (per base)	use finish code	Ⓢ
Custom Powder Coat (set-up charge)	CPC	\$381
<b>Base Options</b>		
Counter Height	CH	Ⓢ
Bar Height	BH	Ⓢ
Alternate Height Base (per column)	AH	\$69
Super Level Glides (per base)	GSL	\$36
Custom Top Plate Size	CTPS	Ⓢ
6" Column (black texture and powder coat)	COL6	\$204
6" Column (polished or satin chrome)	COLP6	\$260
6" Column (premium plated)	COLPP6	Ⓢ
6" Column (veneer)	COLV6	\$405
Base sizes may vary with quartz tops		
<b>Top Materials and Finishes</b>		
Any non-standard WCI Laminates (set-up charge)	use manufacturers finish code	\$150
Premium Laminates	PL	Ⓢ
Custom Wood Veneer	CWV	Ⓢ
Special Pattern Veneer	SPV	Ⓢ
Stain to Match (set-up charge)	STM	\$433
<b>Top Options</b>		
Custom Size	CS	Ⓢ
Custom Shape	CSH	Ⓢ
Custom Edge Thickness	CET	Ⓢ
Custom Radius Corner	CRC	Ⓢ
3" Radius Corner (per corner)	CRL3	\$36
(laminate self edge, ultrafoam, Corian®, 3form® Chroma®, quartz)		
3" Wood Radius Corner (per corner)	CRW3	\$86
(not available in LWFL and WWFL)		
<b>Grommets</b>		
2" Round Metal Grommet - Matte Black	GMBM	\$145
2" Round Metal Grommet - Satin Chrome	GMSC	\$145
2" Round Metal Grommet - Polished Chrome	GMPC	\$145
2" Round Plastic Grommet - Matte Black	GPMBM	\$46
Grommet location	use location code	n/c

How to Order

Table Model Number						Options		
FR	3642	RE	WWSQ	WMW	N/A	MBM	GMBM	G
Base Series	Top Size	Top Shape	Top Material Edge Profile	Top Finish	Edge Finish	Base Finish	Matte Black Grommet	Location "G"
A FR3642REWWSQWMWMBM is a Flat Round series 36" x 42" rectangle table with a black powder coat round base and a wood veneer 1.25" thick top with a 1.25" square wood edge profile.					Edge finish applies when edge material is different from top material.		The code: GMBM specifies a matte black 2" diameter metal grommet.	
							The code: G specifies the location of the grommet.	